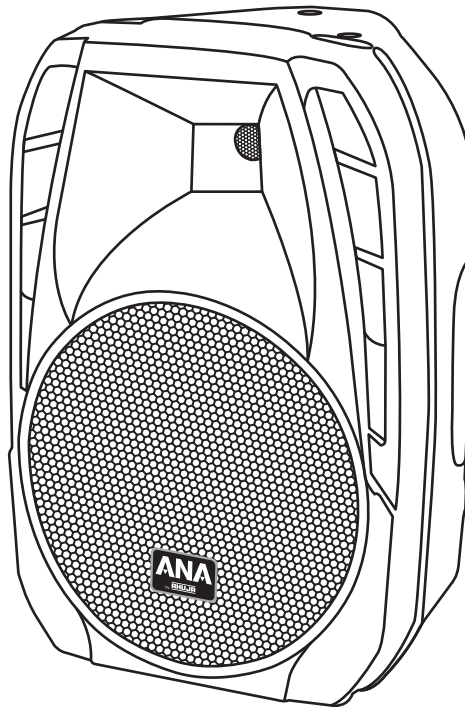


AHUJA[®]**Active Loudspeaker**
125W RMS Portable PA

XPA-1510DP



- ◆ Thank you for purchasing the AHUJA Portable PA Active Loudspeaker XPA-1510DP.
- ◆ Please read this manual thoroughly before making connections and turning on the power. Following the instructions in this manual will enable you to obtain optimum performance from your new AHUJA Portable PA Active Loudspeaker.
- ◆ Please retain this manual for future reference.

• Safety Instructions

Read the Instructions: Please read all the instructions in this section carefully before installation or use of the product. All the safety instructions must be followed.

Retain the Instructions: Please retain this Instruction Manual for future reference.



This symbol, wherever it appears, alerts you to the presence of uninsulated hazardous voltage that may be sufficient to constitute a risk of electric shock. External wiring to any terminal marked with this symbol must be done by a trained and instructed person only.



This symbol, wherever it appears adjacent to a component, alerts you that the concerned component can only be replaced by another of the exact same specifications.

WARNING

- I To reduce the risk of electric shock, do not remove the top cover. No user serviceable parts inside. Refer all servicing to qualified personnel only.
- I Before replacing any fuse, make sure the set is switched off and disconnected from the AC mains or any other power source. Replace a fuse only with another of exactly same specification.

CAUTIONS

Water & Moisture: To reduce the risk of fire or electrical shock, do not expose this set to rain or moisture. Do not keep this set near water or in a wet location. Do not insert or remove the AC mains plug with wet hands.

Power Source: The voltage & frequency of the AC mains supply to which this set can be connected, is marked on the rear panel of the set. Do not connect this set to any power source other than those specified on the rear panel.

Power Cord Protection: Do not cut, kink, damage or modify the AC power cord supplied with this set. Keep the AC power cord away from heaters and harmful chemicals. Do not keep any heavy object on the power cord.

Operation on Generator: When operating this set on a generator, make sure the set is switched off till the generator voltage has stabilized.

Stability: This set must be kept in a stable and flat position, and never in a tilted position. This set can also be mounted on a stand. Before using any stand, check its strength and stability.

Cleaning: Disconnect this equipment from the AC mains before cleaning. Clean with a damp cloth, but do not allow any liquid to enter the set. Do not clean with liquids or aerosols.

• Table of Contents

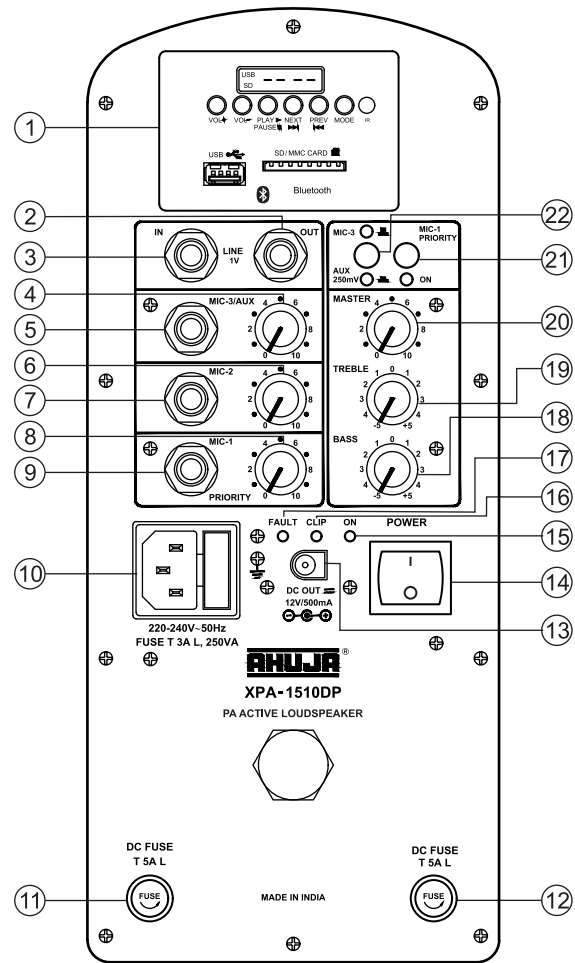
Contents	Page No.
• Rear Panel Controls Description	4
• MP3 Playback Facility: Controls & Features	5
• Pairing of Bluetooth Device	6
• Interconnection	7
• Specifications	8

• Features/General Description of Product

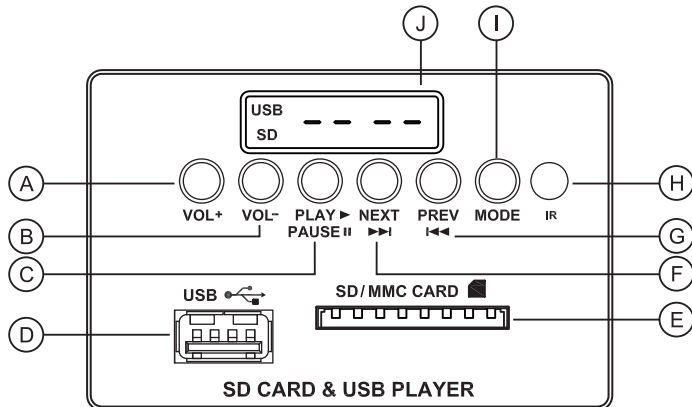
- XPA-1510DP is an Active Loudspeaker with built-in 125W RMS PA Amplifier.
- Plastic moulded cabinet designed for use in a wide variety of PA and Musical Instrument applications.
- XPA-1510DP has three unbalanced MIC inputs, with AUX alternate to MIC-3 through switch, and Line input.
- MIC-1 has priority over the other Mic, Aux and MP3 player inputs. When an adequate signal is present on MIC-1 input, the signal available from other Mic, Aux and MP3 player inputs are muting. This allows announcements to be conveniently made by program which is being played without operating any switch or control. For using this feature, keep MIC-1 PRIORITY switch to ON.
- Built-in MP3 player with remote control, USB, SD/MMC card reader and Bluetooth facility.
- Line output is provided to connect to line input of another XPA-1510DP.
- Built-in 10"/8 ohm high quality woofer with Dynamic horn tweeter.
- Active Bass/Treble controls for adjusting the level of low & high frequencies to suit the application.
- CLIP LED for monitoring the output & caution overdrive.
- Protection provided for DC offset, output short and overdrive conditions.

• Rear Panel Controls Description

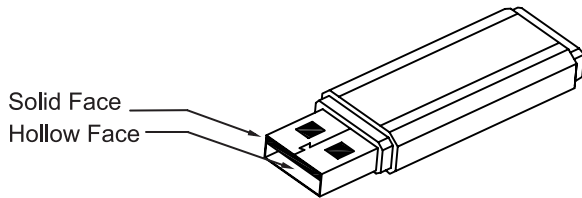
1. **MP3 Playback Facility** (see page no 5.)
2. **Line Output Jack Socket**
To connect the Line input of another XPA-1510DP.
3. **Line Input Jack Socket**
To connect the line out of other XPA-1510DP or a Mixer.
4. **Mic-3/Aux Volume Control**
5. **Mic-3/Aux Input Jack Socket**
6. **Mic-2 Volume Control**
7. **Mic-2 Input Jack Socket**
8. **Mic-1 Volume Control**
9. **Mic-1 Input Jack Socket**
This input has priority over other Mic, Aux and USB inputs.
10. **AC Socket with built-in 3A Fuse (T 3A L)**
11. **-DC Fuse 5 Amp. 250V (T 5A L)**
12. **+DC Fuse 5 Amp. 250V (T 5A L)**
13. **12V DC OUTPUT SOCKET**
For connecting wireless microphone which works on 12V DC and less than 250mA current consumption. Constant DC Voltage of 12V/500mA current is available through this socket.
14. **Power Switch**
Push the top part of the knob to switch the amplifier ON. Push the bottom part of the knob to switch the amplifier OFF.
15. **Power LED**
This LED glows when the power is switched on.
16. **Clip LED**
This LED glows when the output is at clipping level. If this LED glows continuously, reduce the signal level.
17. **Fault LED**
This LED glows when any DC fuse blows. This may happen because of output shorting, DC offset or overdrive.
18. **Bass Control**
For adjusting the level of low frequencies.
19. **Treble Control**
For Adjusting the level of the high frequencies.
20. **Master Volume Control**
For adjusting the overall volume level of the amplifier.
21. **Priority ON/OFF Switch**
Push this switch to use MIC-1 priority over other inputs. LED will glow when priority is active.
22. **Push Selector Switch for Mic-3/Aux**
Push switch used to select either Mic-3 or Aux input. Each selection is indicated by an LED.



• MP3 Playback Facility: Controls & Features



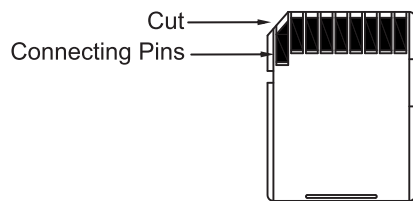
- A. **VOL+ :** To increase volume level of MP3 player.
- B. **VOL- :** To decrease volume level of MP3 player.
- C. **▶|| PLAY/PAUSE:** Press PLAY/PAUSE once to Pause if music is already playing. Press PLAY/PAUSE again to resume playing.
- D. **USB Connector:** Insert the USB drive here. While inserting USB drive into the USB connector, hold the USB drive in such a way that hollow part of the USB drive is downwards as shown in Figure.



Any forceful insertion in wrong direction will damage the connector.

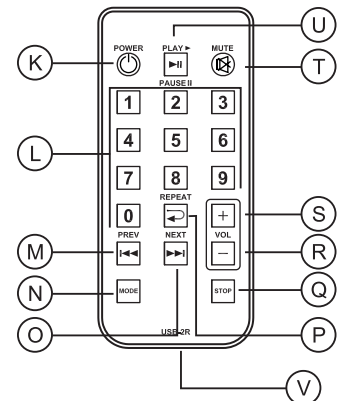
- E. **SD/MMC Card Connector:** Insert the SD/MMC Card into the slot to play. When taking out the card, push the card to take out.

While inserting SD/MMC card into the slot, ensure that the card is inserted in such a way that all pins are facing upward and cut is towards left as shown in figure.



- F. **▶▶ Next:** Press NEXT to select next forward music track. Pressing NEXT repeatedly will move the system to successively next forward tracks. Then press PLAY/PAUSE for playing the track so selected.
- G. **◀◀ Prev:** Press PREV to Select the previous track. Pressing PREV repeatedly will move the system to successively previous tracks.
- H. **IR Sensor:** Picks up signal from the Remote control.

Remote Control

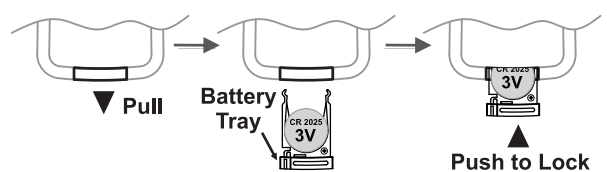


Point the Remote control toward this sensor for best results.

- I. **Mode:** To select USB, SD or Bluetooth. Default condition of the set is USB/SD.
- J. **LED Display:** Instantly displays 3 digits of the track selected to play i.e 001 to 999. During play, display the time duration of the track played.

Remote Control

- K. **Power:** Press once to switch off MP3 player, press again to switch ON.
- L. Number key 0 to 9. To choose the track number to be played.
- M. **◀◀ :** To select the previous track.
- N. **MODE :** To select SD or USB or Bluetooth.
- O. **▶▶ :** Press to select the next track.
- P. **↺** Press once to repeat the song being played. Press twice to repeat all the songs.
- Q. **STOP:** Press to stop the track being played.
- R. **Vol:** Press to decrease the volume of MP3 Player.
- S. **Vol:** Press to increase the volume of MP3 Player.
- T. **⊘ MUTE:** Press once to mute the sound, press again the resume the sound.
- U. **▶|| PLAY/PAUSE:** Press Play/Pause once to Pause when music is already playing. Press Play/Pause again to resume playing.
- V. **Battery Replacement:** Pull out the battery tray and replace the battery with positive electrode facing upwards as shown in fig. below. Push the battery compartment back to the close position. Use CR2025 or equivalent lithium coin cell.



• Pairing of Bluetooth Device

SWITCH ON the amplifier in use. The Default condition of the MP3 digital Player is USB/SD mode. The display shows — — — .

To play the MP3 programme from mobile phone or laptop, via bluetooth, the PAIRING of the Bluetooth devices of mobile phone & Amplifier is necessary. To use Bluetooth, Press Mode switch to select Bluetooth.

Pairing is done as follow :-

SELECT the Bluetooth option in Mobile Phone or laptop & follow the instruction as appearing on mobile/laptop screen.

Normally the following general instructions are followed*:

Press ACTIVATE /ON/DISCOVERABLE/SEARCH, etc, as applicable in the mobile phone or laptop used.

The mobile phone or laptop starts searching for the new Bluetooth device. The moment Bluetooth appears on the mobile phone or laptop, select the new device i.e. Bluetooth and press OK or allow it to appear on mobile. System is ready to use.

In some mobiles, it asks for a code to allow access. Press 0000 and follow the steps, like pressing "OK", "Allow once", "Allow always" etc. and make the device ready for use.

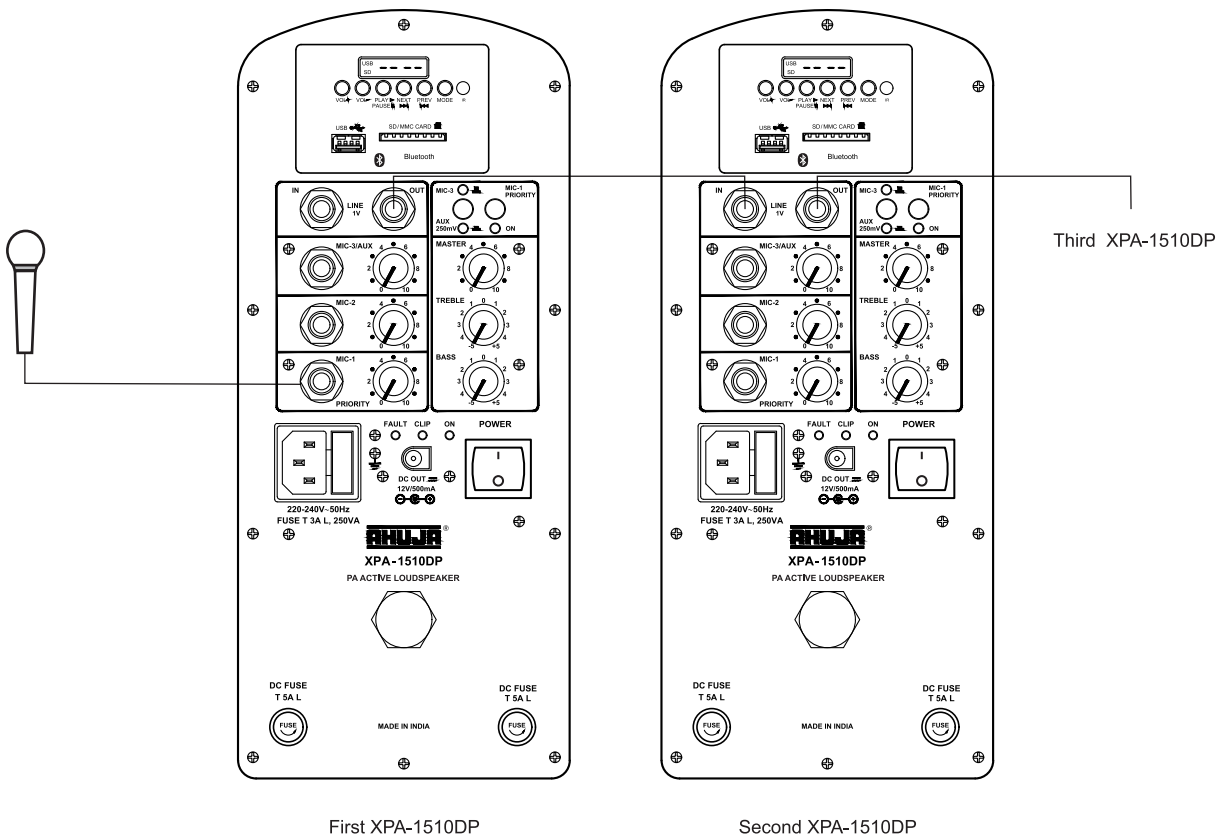
Select the MP3 programme from mobile phone or laptop and press PLAY. The same song starts playing on the Ahuja Portable Amplifier. We can SELECT Volume, FF, Rewind, Play/Pause function either from keys on the Amplifier or through Remote Control.

Note: It is not necessary that all functions of remote control will be activated through Bluetooth and compatibility varies from mobile to mobile.

* However, some mobile phones/computers may require a different procedure. Please read the user manual of the phone/computer.

• Interconnection of Multiple XPA-1510DP

1. Connect the microphone or USB to the respective input of first XPA-1510DP.
2. Connect the line output of first XPA-1510DP to Line input of next XPA-1510DP and so on.
3. Select the input to be used i.e., MIC or USB. If MIC-1 is used, & priority switch is ON then program of all other inputs used are attenuated by 20-25dB since MIC-1 has priority over all other inputs.
4. The output level of each XPA-1510DP can be controlled from its individual master control.
5. Bass, Treble control setting, if needed, will be done from 1st XPA-1510DP only.
6. For undistorted sound, ensure that CLIP LED does not glow continuously.



• Active Loudspeaker

Specifications	
Model	XPA-1510DP
Speaker	1 x 10" LF Speaker, \varnothing 2" Voice Coil 1 x HF Compression Driver, \varnothing 1" Voice Coil
Power Output	125W RMS at 1% THD 100W RMS at 0.5% THD
Output Regulation	Better than 0.5dB
Input Channels	3 x Mic 2.0mV / 4.7k Ω (Priority with MIC-1) (Mic source impedance 50 Ω -1k Ω) 1 x Aux 250mV / 470k Ω 1 x Line input : 1V / 10k Ω
Frequency Response	40-20,000 Hz \pm 3dB
S/N Ratio	60dB
Tone Controls	Bass : \pm 5dB at 100Hz Treble : \pm 5dB at 10kHz
MP3 Playback	MP3 player with USB, SD, MMC card reader and Bluetooth
Protection	AC Fuse 1 x 3 Amp. 250V (T 3A L) DC 2 x 5 Amp. 250V (T 5A L)
Line Output	1V / 1k Ω
DC Output	12V / 500mA
Power Supply	AC : 220-240V 50-60Hz
AC Power Consumption	250 VA
Dimensions	W325 x H485 x D255 mm
Weight	13.50 kg approx.

Design and Specifications are subject to change without notice owing to continuous product up-gradation. Technical specifications are subject to production tolerances.

We cannot be held responsible for printing errors, should they occur. **AHUJA** is a registered trademark of Ahuja Radios in India and other countries.

© Copyright Ahuja Radios, 2018. All rights reserved. Any unauthorized reproduction or use of logos, images or design elements is strictly prohibited by law.

No part of this compilation may be reproduced in any manner or translated without written permission.

AHUJA RADIOS

215, Okhla Industrial Estate, New Delhi-110020, INDIA

C-45, Phase-II, Noida-201305 (UP) INDIA

Tel.: +91-11-26831549, 41612474 Fax: +91-11-26847287

E-mail: ahuja@ahujaradios.com Website: www.ahujaradios.com