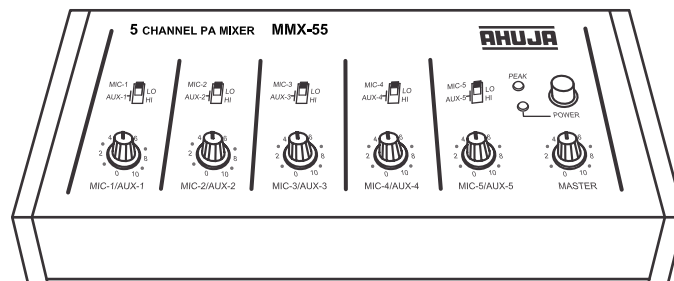


MMX-55



FEATURES

- AC Mains & 12V Car Battery operation
- Compact and easy to use
- 5 Mic/5 Auxiliary inputs with Selectable Sensitivity
- Separate volume control for each Mic/Aux input
- Peak LED for setting optimum distortion-free input levels

Please read this manual thoroughly before making connections and turning on the power. Following the instructions in this manual will enable you to obtain optimum performance from your new AHUJA PA Mixer Pre amplifier.

Please retain this manual for future reference.

• Safety Instructions

Read the Instructions: Please read all the instructions in this section carefully before installation or use of the product. All the safety instructions must be followed.

Retain the Instructions: Please retain this Instruction Manual for future reference.



This symbol, wherever it appears, alerts you to the presence of uninsulated hazardous voltage that may be sufficient to constitute a risk of electric shock. External wiring to any terminal marked with this symbol must be done by a trained and instructed person only.



This symbol, wherever it appears adjacent to a component, alerts you that the concerned component can only be replaced by another of the exact same specifications.

WARNING

- To reduce the risk of electric shock, do not remove the top cover. No user serviceable parts inside. Refer all servicing to qualified personnel only.

CAUTIONS

Water & Moisture: To reduce the risk of fire or electrical shock, do not expose this set to rain or moisture. Do not use this set near water or in a wet location. Do not keep any object filled with liquid, such as a vase, on top of this set. Do not insert or remove the AC mains plug with wet hands.

Power Source: The voltage & frequency of the AC mains supply, and the voltage of the external battery, (if applicable) to which this set can be connected, is marked on the rear panel of the set. Do not connect this set to any power source other than those specified on the rear panel.

Power Cord Protection: Do not cut, kink, damage or modify the AC power cord supplied with this set. Keep the AC power cord away from heaters and harmful chemicals. Do not keep any heavy object on the power cord.

Operation on Generator: When operating this set on a generator, make sure the set is switched off till the generator voltage has stabilized.

Ventilation: This set should be situated so that its location or position does not interfere with its proper ventilation. Do not cover the ventilation holes / slots. Do not insert or drop anything into the ventilation holes / slots.

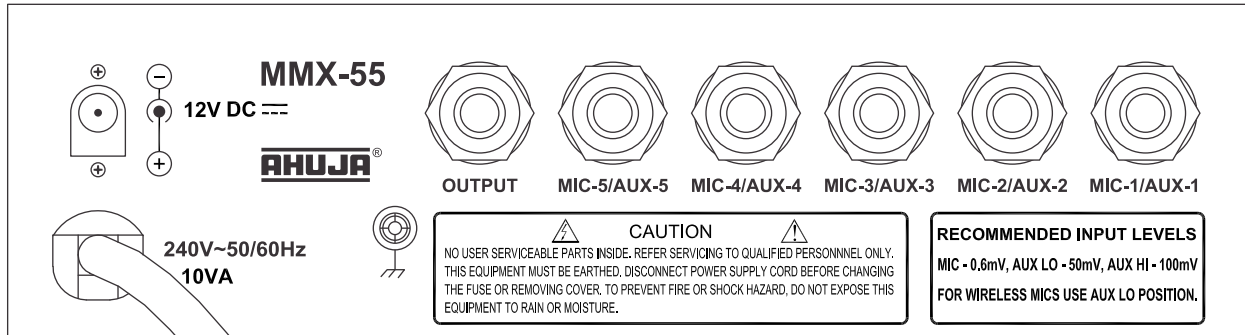
Stability: This set must be kept in a stable and flat horizontal position, and never in a tilted position. Do not place this set on an unstable stand, tripod, bracket or mount. Do not use attachments which are not supplied or explicitly recommended by the manufacturer.

Earthing: This set must be earthed properly before use. A wire from the Earth terminal on the rear panel must be connected to electrical earth.

Cleaning: Disconnect this equipment from the AC mains and external battery before cleaning. Clean with a damp cloth, but do not allow any liquid to enter the set. Do not clean with liquids or aerosols.

OPERATION

- Connect the AC Lead of the Mixer to the nearest mains socket and connect the battery lead to Car Battery for interruption free operation.
- Connect the Microphones to the Input Jack and move the selector switch to Mic Position.
- Move the selector switch to Aux position in case of Aux inputs and select the sensitivity to either LO or HI Position (For wireless mics. use of AUX LO position is recommended).
- Connect the Output of the Mixer to the Aux input of an amplifier.
- Switch ON the Mixer. Adjust the level of each Mic/Aux to the desired level.
- Set the mixed output of the Mixer by the Master volume control till the Peak LED just flickers and does not glow continuously.



REAR VIEW

SPECIFICATIONS

Frequency Response	20Hz - 20,000Hz \pm 3dB
Input Channels	5 \times Mic 0.6mV / 4.7k Ω , 5 \times AUX HI 100mV/470k Ω or AUX LO 50mV/470k Ω (selectable)
Output	200mV / 600 Ω
Distortion	<1%
S/N Ratio	40dB
Power Supply	AC - 240V 50/60Hz DC - 12 V Car Battery
Dimensions	W220 \times H60 \times D120 mm
Weight	1.25kg approx.

Specifications claimed are subject to permissible production tolerances.

Design and Specifications are subject to change without notice. • **AHUJA** is a registered trademark of Ahuja Radios in India and other countries.
© Copyright Ahuja Radios, 2012. All rights reserved. Any unauthorized reproduction or use of logos, images or design elements is strictly prohibited by law.
No part of the compilation may be reproduced in any manner or translated without written permission.

TRUSOUND PVT. LTD. • C-89, Sector IV, Noida, Gautam Budh Nagar-201 301 (UP)
Regd. Office : 125E, Okhla Industrial Estate, New Delhi-110 020
Tel.: +91-120-4665665 Fax : +91-120-4665621
E-mail: trusoundsupport@airtelmail.in

OK01/10/RZ