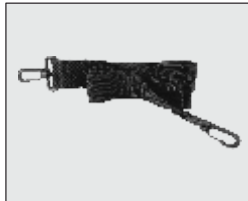


NBA-20DP



Headband Microphone



Neck Strap



AC Power Adapter

- ◆ Thank you for purchasing the AHUJA Neckband PA System.
- ◆ Please read this manual thoroughly before turning ON the power. Following the instructions in this manual will enable you to obtain optimum performance from your new AHUJA Neckband PA System.
- ◆ Please retain this manual for future reference.

• Safety Instructions

Read the Instructions: Please read all the instructions in this section carefully before installation or use of the product. All the safety instructions must be followed.

Retain the Instructions: Please retain this Instruction Manual for future reference.



This symbol, wherever it appears adjacent to a component, alerts you that the concerned component can only be replaced by another of the exact same specifications.

WARNING

- Do not remove the top cover. No user serviceable parts inside. Refer all servicing to qualified personnel only.
- Before replacing any component, make sure the set is switched off and disconnected from the AC mains or any other power source. Replace a fuse/critical components only with another of exactly same specification.

CAUTIONS

Water & Moisture: Do not expose this set to rain or moisture. Do not use this set near water or in a wet location. Do not insert or remove the AC mains plug of the AC adapter with wet hands.

Power Source: The voltage & frequency of the AC mains supply, to which this set can be connected, is marked on the AC power adapter. Do not connect this set to any power source other than those specified.

Power Cord Protection: Do not cut, kink, damage or modify the power cable supplied with the AC Adapter. Keep the cable away from heaters and harmful chemicals. Do not keep any heavy object on the cable.

Stability: This set is meant to be held around the neck or over the shoulder by means of the strap provided with the set. Make sure the strap is firmly attached. Do not use attachments which are not supplied or explicitly recommended by the manufacturer.

Battery: Battery should be replaced only by an authorised Ahuja Dealer.

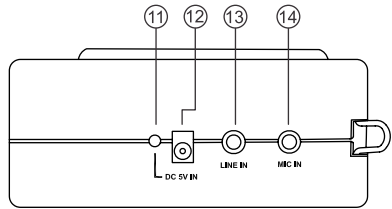
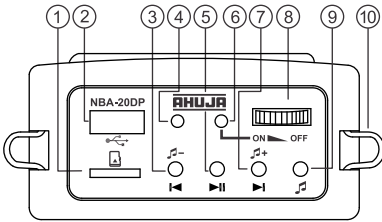
Danger of explosion if battery is incorrectly replaced. Replace only with the same or equivalent type.

Cleaning: Disconnect from the AC Adapter before cleaning. Clean with a damp cloth, but do not allow any liquid to enter the set. Do not clean with liquids or aerosols.

• Features | General Description of Product

- Elegant and compact Neckband PA amplifier with max. output power 12W.
- Comes with a high quality MP3 Digital Player which can accept both a USB drive and a TF card.
- Built-in high capacity rechargeable lithium-ion battery.
- Supplied with a condenser headband microphone, a neck strap and an AC power adapter (for recharging the built-in rechargeable battery only).
- Special circuitry provides low distortion even at high output power.
- 3.5mm Mic input socket for connecting the headband microphone and a 3.5mm Line input socket for connecting a DVD, CD or an MP3 player.
- Low battery LED indicator.
- Convenience of use. The unit can be used while hanging on the shoulder or by putting around the neck.
- Ideal for teaching, tour guides, yoga classes, play schools and small group presentations.

• Controls & Features



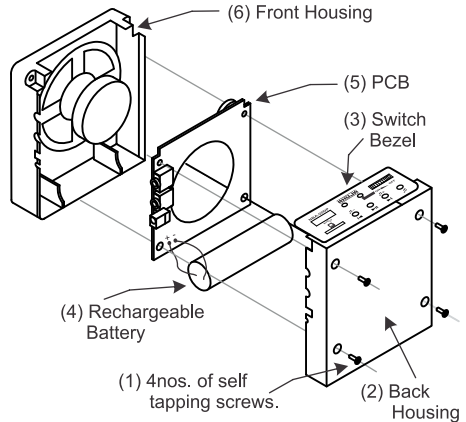
1. **TF Card Port:** For inserting a TF card in the direction as printed on the panel.
2. **USB Port:** For connecting a USB drive.
3. **◀ ⏮:** Press once to select the previous track keep it pressed for long to decrease the volume of MP3 Player.
4. **LED Indicator:** This red LED starts blinking to indicate that the music is being played back.
5. **▶⏸:** Press Play/Pause once to Pause when music is already playing. Press Play/Pause again to resume playing.
6. **Bi-Colour LED:** This LED glows only when power switch is turned ON. When the LED is GREEN, it indicates that the built-in rechargeable battery is adequately charged. When the LED is RED it indicates that the built-in rechargeable battery is low and needs recharging.
7. **▶⏭, ⏮+:** Press once to select the next track. Keep it pressed for long to increase the volume of MP3 Player.
8. **Power Switch with Volume Control:** To switch the unit ON, rotate the power switch from OFF to ON position. After switching ON, rotate the volume control to adjust the sound output level from the unit.
9. **⏻:** Press this button once to switch ON/OFF the playback of USB or TF card.
10. **Hanging Hooks:** Used for clamping the hanging belt.
11. **Charging Indicator LED:** This bi-colour LED glows only when the AC adapter is connected to an AC mains source. When the LED is RED, it indicates that the rechargeable battery is undergoing charging. When the LED is GREEN, it indicates that the rechargeable battery is fully charged.
12. **DC Input Socket:** For connecting the AC adapter, which has been supplied with the unit, so that the built-in rechargeable battery can be charged.
13. **Line Input Socket:** For accepting unbalanced signal from an auxiliary source like a DVD or an MP3 player.
14. **MIC Input Socket:** For accepting unbalanced signal from a condenser microphone through a Ø 3.5mm phone jack plug. This mic input can also be used for directly connecting Ahuja condenser microphone models HBM-50 as well as CTP-10DX and UTP-30 (both to be used without their cell compartment).

• Usage Tips

- The amplifier runs on its built-in rechargeable lithium-ion battery. The AC power adapter is only required for recharging this battery from time to time.
- The MIC IN socket is meant only for condenser microphones like the headband microphone supplied with this set or Ahuja models CTP-10DX / UTP-30. CTP-10DX/UTP-30 microphones, if used, should be without their cell compartment. DO NOT connect any dynamic microphone.

• Replacement of Rechargeable Battery

- Open the portable amplifier by unscrewing 04 nos of self tapping screws (1).
- The amplifier is now in two parts; the front housing (6) is with the speaker and back housing (2) has the PCB (5) and the rechargeable battery (4).
- Slightly lift the PCB (5) from bottom side and pull it out of the switch bezel (3).
- Now take out the rechargeable battery (4). Carefully desolder the red and black wire of the rechargeable battery from the PCB.
- Take a new battery of similar size and rating ie., 3.7V, 2000mAh. Solder the red and black wires of the new rechargeable battery to the (+) and (-) solder pads on the PCB.
- Place the new battery in its designated location inside the back housing (2). Replace the PCB by sliding it in the switch bezel (3), place the front housing (6) over the back housing and close the amplifier by tightening 4 nos of self tapping screws (1)
- A new rechargeable lithium-ion battery may require longer charging time for the first time.



• Specifications

Power Output	12W Max.
Speaker Impedance	4Ω
Input Channel	Mic-1: 1.0mV, Line: 250mV
MP3 Playback	USB & TF Card (16GB max.)
Frequency Response	80-12,000Hz
AC Adapter	AC: 100-240V, 50/60HZ; DC: 5V, 750mA
Rechargeable Lithium-ion Battery	3.7V, 2000mAh
Headband Microphone Element	Condenser, Cardioid
Dimensions	W86 × H98 × D44 mm
Weight (with rechargeable battery)	0.34kg approx.
Accessories	Headband microphone, AC power adapter (for recharging lithium-ion battery), neck strap.

- Design and Specifications are subject to change without notice owing to continuous product upgradation.
- Technical specifications are subject to production tolerances.

AHUJA RADIOS

215, Okhla Industrial Estate, New Delhi-110020, INDIA

C-45, Phase-II, Noida-201305 (UP) INDIA ● 3, Okhla Industrial Estate, New Delhi-110020 INDIA

Tel.: +91-11-26831549, 41612474 Fax: +91-11-26847287 E-mail: ahuja@ahujaradios.com

Website: www.ahujaradios.com

AHUJA®

Design and Specifications are subject to change without notice owing to continuous product up-gradation. Technical specifications are subject to production tolerances. We cannot be held responsible for printing errors, should they occur. AHUJA is a registered trademark of Ahuja Radios in India and other countries. © Copyright Ahuja Radios, 2013. All rights reserved. Any unauthorized reproduction or use of logos, images or design elements is strictly prohibited by law. No part of this compilation may be reproduced in any manner or translated without written permission.