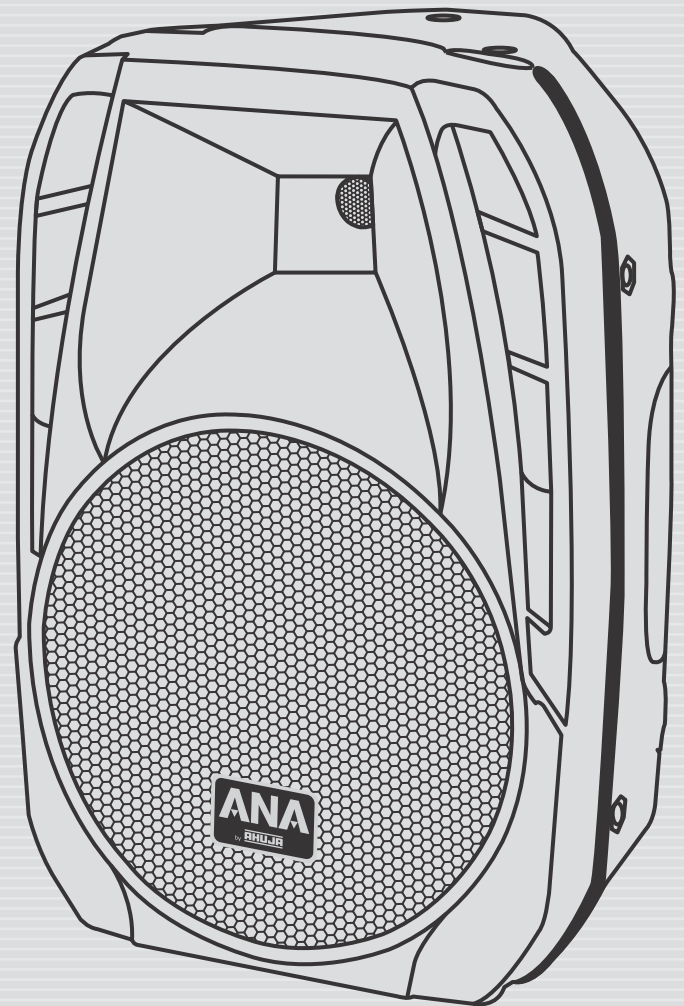


Ahuja introduces a compact & exquisite 300W, 2-Way PA speaker system model VX-300. It comprises of a high performance 12" LF speaker and a reliable HF driver. Ideal for use in a wide variety of speech & music applications.

- Rugged & portable bass reflex cabinet moulded with a special polypropylene plastic material.
- Built with a 12" 300W reliable & efficient LF speaker.
- High performance HF driver made with a 1.75" voice coil & titanium diaphragm.
- Equipped with a professional two way passive crossover network using low resistance inductors & high quality metallised polyester capacitors.
- Special cabinet profile allows functional flexibility in various professional audio applications such as stage monitors, live sound reinforcement and installed sound systems.
- A pole socket is provided at the bottom for easy stand mounting as well as wall mounting.
- Three integrated M8 flying points on top side and right side of the cabinet enable vertical and horizontal suspension applications.



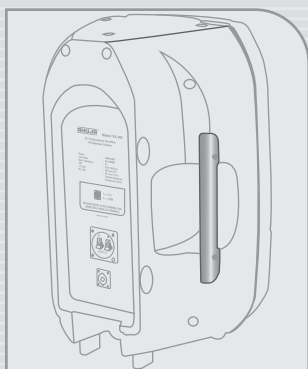
300
WATTS

2
WAY

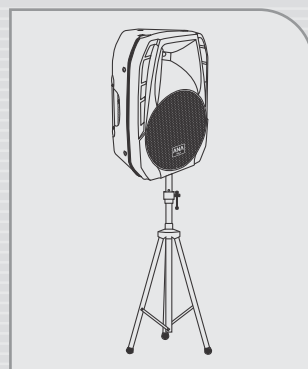
12" x 1"

SPECIFICATIONS

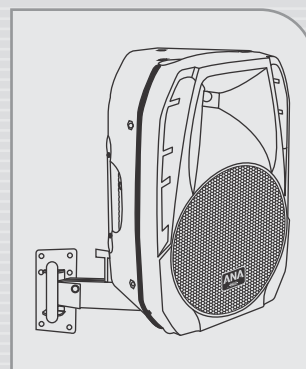
Power Rating	300W RMS	MAX. Rated SPL	122dB
Configuration	Two Way	Nominal Impedance	8Ω
Frequency Response	60-18,000Hz	Port	Free Flow Flared
Low Frequency Speaker	1 x 12", Ø 2.5" CCAW Voice Coil	Input Connectors	Speakon + Push Terminals
High Frequency Unit	Dynamic Horn, Ø1.75" Voice Coil	Dimensions	W385 × H585 × D305 mm
SPL at (1W/1m)	97dB	Weight	15.80kg approx.



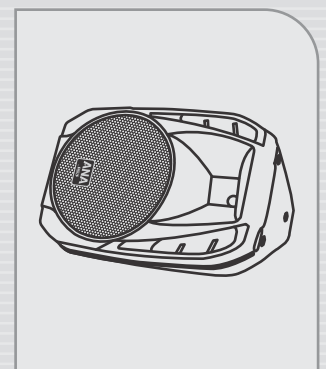
Convenient Handling



Stand Mounting



Wall Mounting



Stage Monitor

Design and Specifications are subject to change without notice owing to continuous product up-gradation. Technical specifications are subject to production tolerances. We cannot be held responsible for printing errors, should they occur. AHUJA and ANA are registered trademarks of Ahuja Radios in India and other countries. © Copyright Ahuja Radios, 2017. All rights reserved. Any unauthorized reproduction or use of logos, images or design elements is strictly prohibited by law. No part of this compilation may be reproduced in any manner or translated without written permission.

AHUJA RADIOS

215, Okhla Industrial Estate, New Delhi-110020, INDIA
 C-45, Phase-II, Noida-201305 (UP) INDIA ● 3, Okhla Industrial Estate, New Delhi-110020 INDIA
 Tel.: +91-11-26310697, 41612474 | Fax: +91-11-26847287
 E-mail: marketing@ahujaradios.com | Website: www.ahujaradios.com