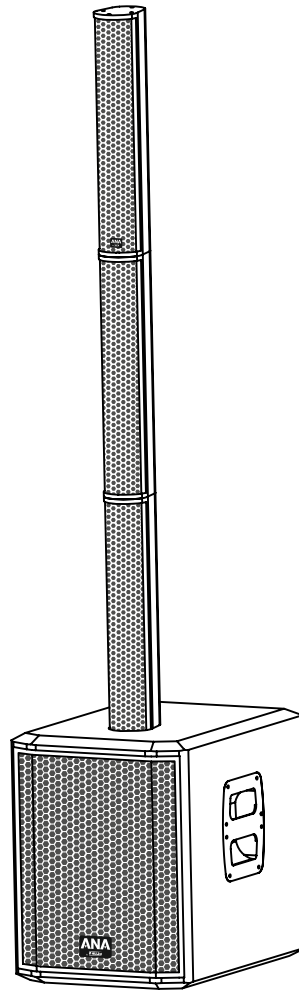


AHUJA[®]**Active Loudspeaker**525W RMS/600W Max.
with Class D Bi-Amplifier**VIVA-600**

- ◆ Thank you for purchasing the AHUJA Bi-Amp VIVA-600 Active Loudspeaker.
- ◆ Please read this manual thoroughly before making connections and turning on the power. Following the instructions in this manual will enable you to obtain optimum performance from your new AHUJA PA Mixer Amplifier.
- ◆ Please retain this manual for future reference.

• Safety Instructions

Read the Instructions: Please read all the instructions in this section carefully before installation or use of the product. All the safety instructions must be followed.

Retain the Instructions: Please retain this Instruction Manual for future reference.



This symbol, wherever it appears, alerts you to the presence of uninsulated hazardous voltage that may be sufficient to constitute a risk of electric shock. External wiring to any terminal marked with this symbol must be done by a trained and instructed person only.



This symbol, wherever it appears adjacent to a component, alerts you that the concerned component can only be replaced by another of the exact same specifications.

WARNING

- To reduce the risk of electric shock, do not remove the top cover. No user serviceable parts inside. Refer all servicing to qualified personnel only.
- Before replacing any fuse, make sure the set is switched off and disconnected from the AC mains or any other power source. Replace a fuse only with another of exactly same specification.

CAUTIONS

Water & Moisture: To reduce the risk of fire or electrical shock, do not expose this set to rain or moisture. Do not use this set near water or in a wet location. Do not keep any object filled with liquid, such as a vase, on top of this set. Do not insert or remove the AC mains plug with wet hands.

Power Source: The voltage & frequency of the AC mains supply, is marked on the rear panel of the set. Do not connect this set to any power source other than those specified on the rear panel.

Power Cord Protection: Do not cut, kink, damage or modify the AC power cord supplied with this set. Keep the AC power cord away from heaters and harmful chemicals. Do not keep any heavy object on the power cord.

Operation on Generator: When operating this set on a generator, make sure the set is switched off till the generator voltage has stabilized.

Stability: This set must be kept in a stable and flat horizontal position, and never in a tilted position. Do not place this set on an unstable stand, tripod, bracket or mount. Do not use attachments which are not supplied or explicitly recommended by the manufacturer.

Cleaning: Disconnect this equipment from the AC mains and external battery before cleaning. Clean with a damp cloth, but do not allow any liquid to enter the set. Do not clean with liquids or aerosols.

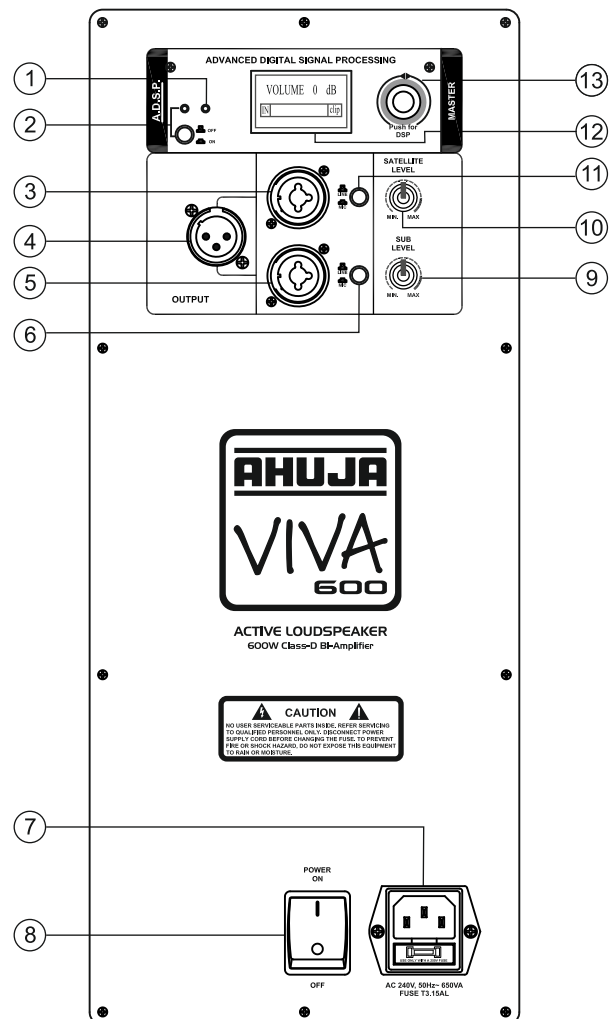
Contents	Page No.
• Features/General Description of Product	4
• Rear Panel Controls Description	4
• Operation, Installation & Settings	5
• DSP Settings	5
• Pairing of Bluetooth Device	6
• Typical Application	7
• Specifications	8

• Features/General Description of Product

- VIVA-600 is Bi-amplified music system, 400W RMS for LF + 125W RMS for HF and each amplifier having individual gain control.
- Ideal for indoor live music performances.
- High quality class D amplifier with digital processor.
- Built-in preset equalizer with NORMAL, JAZZ, CLASSIC, & POP modes.
- Equalizer setting of NORMAL mode has provision to cut & boost gain for 5 frequencies 80Hz, 330Hz, 1.2kHz, 3.3kHz & 12kHz.
- Integrated satellite 3x cylindrical speaker columns, directly fittable on Subwoofer cabinet without hassle of speaker wiring.
- Rear panel control consist of LCD digital display to view & set the features in use.
- Built-in Bluetooth for playing MP3 music.
- 2 x combo input connectors. (TRS/XLR) for Mic or Line input.
- Built-in fixed limiter: 6dB for LF & 18dB for HF provided for protection.
- Ease of operation combined with service accessibility has been optimized in design.

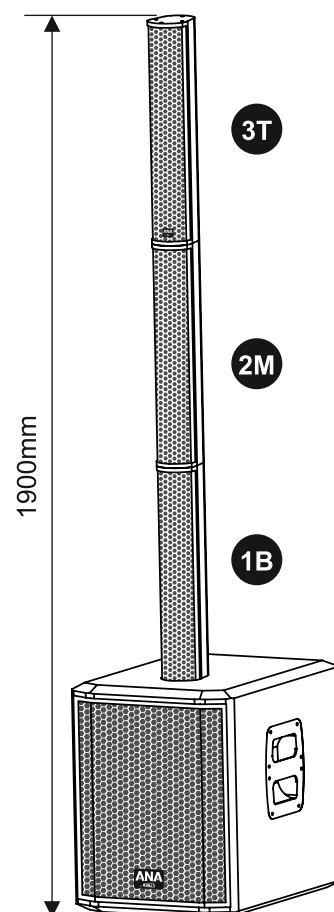
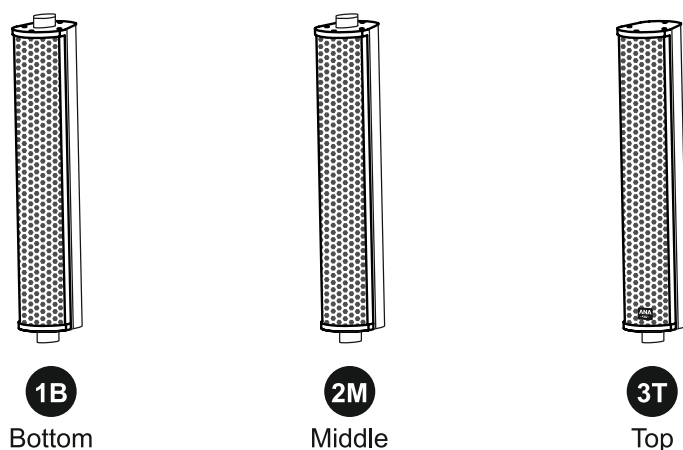
• Rear Panel Controls Description

1. **CLIP LED indicator**
2. **Bluetooth ON/OFF switch** Press the switch to pair the other bluetooth device. Blue LED just above this switch flickers while pairing. After pairing the Blue LED glow continuous.
3. **INPUT-1:** MIC/LINE balanced input-1 Jack + XLR Combo connector.
4. **LINE OUTPUT:** 3pin MXLR for balanced Mix output of input 1 & 2 to connect a higher wattage booster amplifier or cascading other VIVA600.
5. **INPUT-2:** MIC/Line balanced input-2 Jack + XLR Combo connector.
6. **Push switch** for selection of Input-2 MIC or LINE. In pushed condition, the switch is on Mic position.
7. **AC socket** with built in 3.15A Fuse (T3.15AL)
8. **Power Switch:** Push the top part of the knob to switch the amplifier ON. Push the bottom part of the knob to switch the amplifier OFF.
9. **Sub LEVEL CONTROL:** To adjust the volume level of amplifier for Subwoofer.
10. **SATELLITE AMP LEVEL CONTROL:** To adjust the volume level of amplifier for satellite speakers.
11. **Push Switch** for selection of INPUT-1 for MIC or LINE. In pushed condition, the switch is on Mic position.
12. **LCD display to view & set the functions in use**
13. **DSP Control:** Rotate the control and press the knob to select the desired feature to set & play.



• Operation, Installation & Settings

- Keep the Subwoofer at the designated place & make fitment of satellite cabinet one on top of other as per sequence 1B, 2M, 3T, which is marked at the bottom of each column. (Refer picture shown below). The satellite cabinet '1B' has no speakers and it is for height adjustment only.
- Insert the main cable & connect to the nearest main AC out let.
- Switch ON the unit & follow the instruction for proper DSP settings. (Refer page no. 5)



• DSP Settings

- Switch ON the Amplifier. The display shows as fig. 1.
- Rotate the DSP rotary knobs to increase or decrease the volume. Volume level can be varied from 0 to 60dB. (Ref. Fig.1)
- To select the other DSP features, press the DSP rotary knob. The display will show DSP functions. Rotate the knob to select the desired function to be set. (Ref. Fig. 2)
- **MODE:** Rotate the DSP rotary knob and bring the cursor on the desired mode function and press to select. There are 4 modes available eg. NORMAL, JAZZ, POP and CLASSIC to select. Besides NORMAL, all other modes i.e. JAZZ, POP & CLASSIC have fixed settings. In normal mode, EQ-1 to EQ-5 frequencies gain can be adjusted. Bring the cursor on desired Mode & press the rotary knob, it will select & come out of MODE function. (Ref. Fig.3)

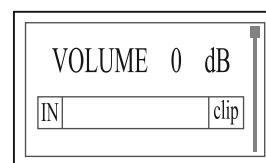


Fig. 1

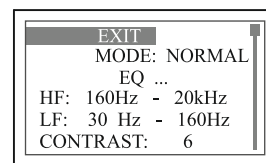


Fig. 2

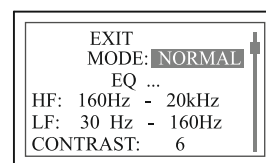


Fig. 3

• DSP Settings...

- **EQ Setting:** If normal mode is selected then rotate DSP knob to go to EQ settings and press to select. Select the equalizer EQ-1 to EQ-5 by rotating the DSP knob and adjust the desired gains for equalizer frequencies EQ-1 to EQ-5. (Ref. Fig. 4 & 5)
- Rotate the DSP knob to go to ↑ symbol and press the DSP knob to exit the EQ settings. (Ref. Fig.5)
- **Crossover:** Crossover frequencies for LF & HF are shown on the display. These frequencies are fixed.
HF Crossover freq : 160Hz-20kHz
LF Crossover freq : 30Hz-160Hz
- **Contrast:** To adjust the contrast level of display. By default display contrast level is 4. User can adjust the contrast level by pressing the DSP knob and then rotating the knob. Then after selecting the desired level press DSP knob to confirm and come out of the function.
- **Limiters:** Limiter value for LF & HF are 6dB & 18dB respectively and are fixed.
- **Save changes:** After selection and settings of the desired functions rotate the knob & press exit, then system will ask to save the changes, as shown in Fig.6. User can select YES or NO. By selecting YES, all setting will be saved. (Ref. Fig.6). Pressing NO, it will get out of the function without making any changes to the earlier settings.
- **Reset:** By selecting the RESET function, system will go to the factory set settings. Select reset function then system will ask YES or NO as shown in Fig.7. By selecting YES, system will be reset. Select NO to get out of this function, retaining the saved functions (Ref. Fig.7).

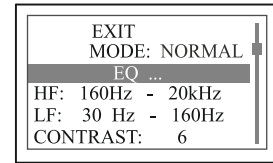


Fig. 4

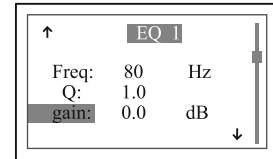


Fig. 5

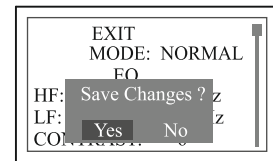


Fig. 6

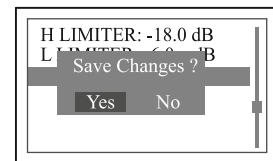


Fig. 7

• Pairing of Bluetooth Device

SWITCH ON the amplifier in use.

To play the MP3 programme from mobile phone or laptop via bluetooth, the PAIRING of the Bluetooth devices of mobile phone & amplifier is necessary. To select Bluetooth, Press Push switch to 'ON'. The moment switch is pressed to ON position, the Blue LED start blinking, which indicates that the system is ready to pair.

Press ACTIVATE /ON/DISCOVERABLE/SEARCH, etc, as applicable in the mobile phone or laptop used.

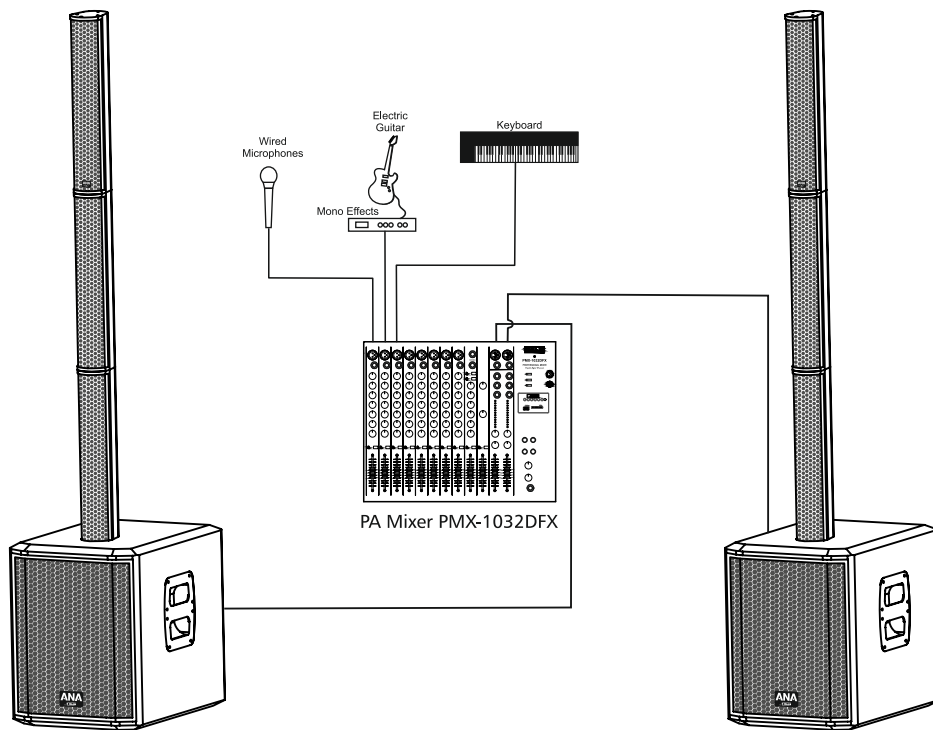
The mobile phone or laptop starts searching for the new Bluetooth device. The moment 'JC-001' appears on the mobile phone or laptop, select the new device and press OK or allow it to appear on mobile. System is ready to use and Blue LED will glow continuously.

In some mobiles, it asks for a code to allow access. Press 0000 and follow the steps, like pressing "OK", "Allow once", "Allow always" etc. and make the device ready for use.

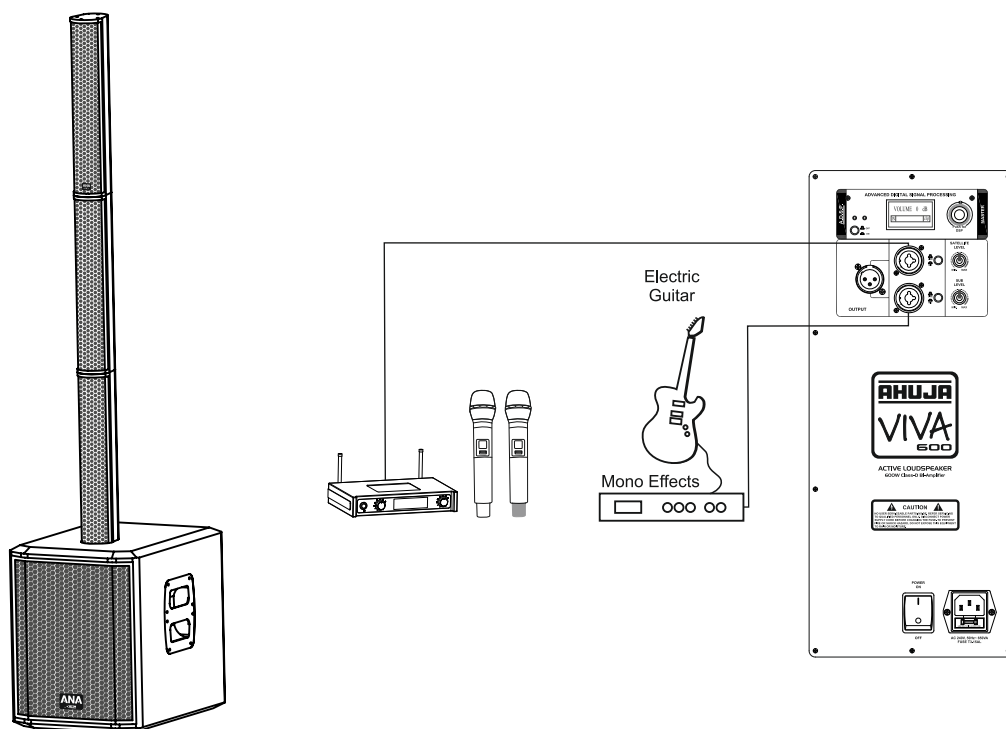
Select the MP3 programme from mobile phone or laptop and press PLAY. The same song starts playing on the Ahuja amplifier.

• Typical Applications

Live Stereo Setup



Solo Performance Setup



• Specifications

MODEL VIVA-600	LF	HF
Power Output	400W RMS at $\leq 1\%$ THD	125W RMS at $\leq 1\%$ THD
Sensitivity		
Line	450mV	
Mic	10mV	
Output	XLR Mixed Output	
Equalizer	NORMAL, CLASSIC, JAZZ, POP	
Setting for Normal EQ.		
EQ.-1	80Hz : -8dB to +3dB	
EQ.-2	330Hz : -8dB to +5dB	
EQ.-3	1.2kHz : -8dB to +5dB	
EQ.-4	3.3kHz : -8dB to +5dB	
EQ.-5	12kHz : -8dB to +5dB	
Limiter	6dB	18dB
Speaker	10" Subwoofer	3" Speaker x 8
Frequency Response	30Hz-160Hz	160Hz-20kHz
MP3 Playback	Via Bluetooth	
S/N Ratio	80dB	
Power Supply	AC : 220-240V 50/60Hz	
Protection	AC: Fuse 3.15Amp. (T3.15AL)	
AC Power Consumption	650 VA	
Dimensions		
Subwoofer	W385 × H485 × D520 mm	
Satellite (Top)	W85 × H495 × D112 mm	
Satellite (Mid. & Bottom)	W85 × H515 × D112 mm	
Weight		
Subwoofer	20.80kg approx.	
Satellite	1.30+1.30+1.10kg approx.	

AHUJA RADIOS

215, Okhla Industrial Estate, New Delhi-110020, INDIA

C-45, Phase-II, Noida-201305 (UP) INDIA

Tel.: +91-11-26831549, 41612474 Fax: +91-11-26847287

E-mail: ahuja@ahujaradios.com Website: www.ahujaradios.com

- Design and Specifications are subject to change without notice owing to continuous product up-gradation
- Technical specifications are subject to production tolerances.
- We cannot be held responsible for printing errors, should they occur.
- AHUJA is a registered trademark of Ahuja Radios in India and other countries.
- © Copyright Ahuja Radios, 2019. All rights reserved. Any unauthorized reproduction or use of logos, images or design elements is strictly prohibited by law.
- No part of this compilation may be reproduced in any manner or translated without written permission.

