

AHUJA[®]

**PA Mixer
with Digital Player**

OPERATION MANUAL

PROMIX-1442



- ◆ Please read this manual thoroughly before making connections and turning on the power. Following the instructions in this manual will enable you to obtain optimum performance from your new AHUJA PA Mixer.
- ◆ Please retain this manual for future reference.

• Safety Instructions

Read the Instructions: Please read all the instructions in this section carefully before installation or use of the product. All the safety instructions must be followed.

Retain the Instructions: Please retain this Instruction Manual for future reference.



This symbol, wherever it appears, alerts you to the presence of uninsulated hazardous voltage that may be sufficient to constitute a risk of electric shock. External wiring to any terminal marked with this symbol must be done by a trained and instructed person only.



This symbol, wherever it appears adjacent to a component, alerts you that the concerned component can only be replaced by another of the exact same specifications.

WARNING

To reduce the risk of electric shock, do not remove the cover. No user serviceable parts inside. Refer all servicing to qualified personnel only.

CAUTIONS

Water & Moisture: To reduce the risk of fire or electrical shock, do not expose this set to rain or moisture. Do not use this set near water or in a wet location. Do not keep any object filled with liquid, such as a vase, on top of this set. Do not insert or remove the AC mains plug with wet hands.

Power Source: The voltage & frequency of the AC mains supply, to which this set can be connected, is marked on the rear panel of the set. Do not connect this set to any power source other than that specified on the rear panel.

Power Cord Protection: Do not cut, kink, damage or modify the AC power cord supplied with this set. Keep the AC power cord away from heaters and harmful chemicals. Do not keep any heavy object on the power cord.

Operation on Generator: When operating this set on a generator, make sure the set is switched off till the generator voltage has stabilized.

Stability: This set must be kept in a stable and flat horizontal position, and never in a tilted position. Do not place this set on an unstable stand, tripod, bracket or mount. Do not use attachments which are not supplied or explicitly recommended by the manufacturer.

Earthing: This set must be earthed properly before use. A wire from the Earth terminal on the rear panel must be connected to electrical earth.

Cleaning: Disconnect this equipment from the AC mains before cleaning. Clean with a damp cloth, but do not allow any liquid to enter the set. Do not clean with liquids or aerosols.

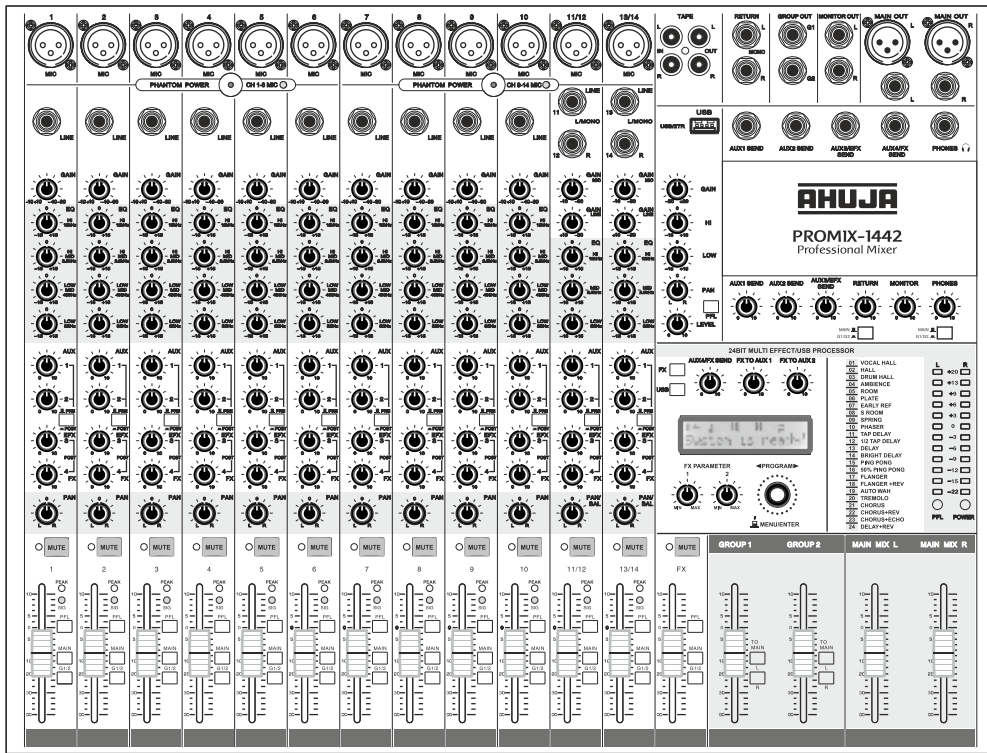
• Table of Contents

Contents	Page No.
• Features / General Description of Product	4
• Top and Rear Panel	5
• The Mic / Line Input Section	6
• The Mic / Stereo Input Section	7
• TAPE, USB & FX Control Section	8
• The Output Section & Return Input Section	9
• Group & Main Mix Controls; Multi Effect/USB Processor	10
• 24 Effects Table & The Power Supply Section	11
• Operations	12
• Typical Applications	13
• Block Diagram	14
• Plugs Wiring Details	15
• Specifications	16

• Features/General Description of Product

- Professional mixer with user-friendly construction & aesthetically designed side panels.
- 12 MIC and 10 LINE Balanced Mono inputs with enhanced headroom. 2 STEREO Balanced inputs.
- Built-in MP3 player with 11 preset EQ settings.
- Digital multi EFFECTS processor with 24 built-in effects.
- LCD display for viewing the EFFECTS/USB settings.
- All MIC inputs are through 3 pin F/XLR connectors.
- All LINE & STEREO inputs are through 6.3mm (1/4") stereo phone jack sockets.
- All MIC inputs are available with 48V phantom supply which can be switched ON/OFF in two groups.
- Each input channel has a GAIN control, 4 band active EQ controls, AUX1, AUX2, AUX3/EFX, AUX4/FX and PAN control.
- The STEREO channel has a GAIN control, 3 band active EQ control, AUX1, AUX2, AUX3/EFX, AUX4/FX and PAN control.
- PRE/POST selector switch for AUX1 and AUX2 in each channel.
- Channel MUTE switch provided on each individual channel.
- Peak LED for signal clipping indication. Signal LED for input signal indication.
- Balanced Left & Right MAIN Mix outputs through M/XLR connectors as well as 6.3mm (1/4") stereo phone jack sockets.
- Stereo Tape Playback Input through L&R RCA sockets.
- Stereo Tape Output through L&R RCA sockets.
- Two GROUP outputs through 6.3mm (1/4") phone jack sockets and individual group faders.
- Monitor outputs through 6.3mm (1/4") phone jack sockets and individual control.
- Easy and accurate monitoring of Left & Right output levels through individual 12 segment LED array.
- L&RAUX RETURN inputs with level control. PFL switch on each channel.
- Headphone output with Level Control for output monitoring.
- Operates on 240V 50Hz AC mains.

• Top and Rear Panel



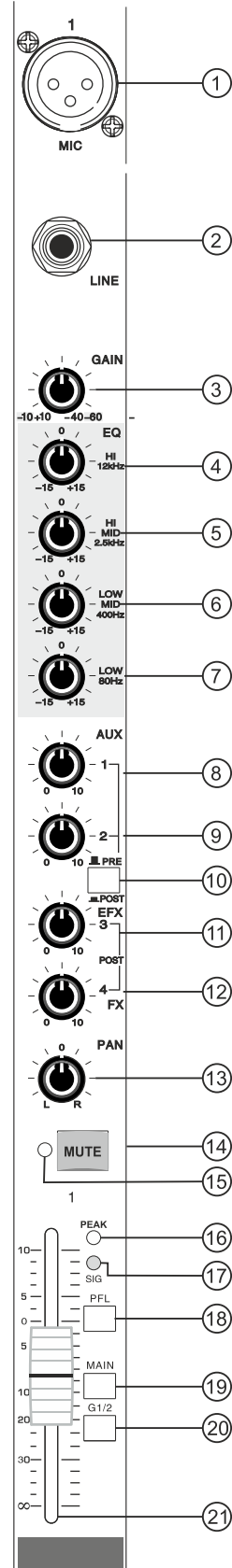
TOP PANEL



REAR PANEL

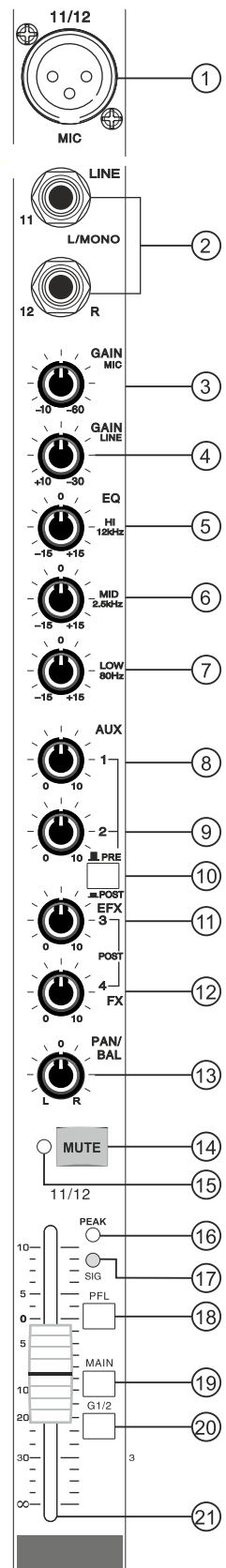
• The Mic / Line Input Section

1. **MIC INPUT (Channel 1 to Channel 10):** For connecting low impedance dynamic & condenser (self-powered) microphone through 3 pin XLR connector, either in balanced or unbalanced mode. For connecting phantom powered condenser microphone, keep 48V phantom switches marked 'CH 1-8 MIC' & 'CH 9-14 MIC' in ON position which is indicated by the glow of their respective orange LED. If no phantom microphone is being used, then keep phantom switches in OFF position.
2. **LINE INPUT:** For connecting signal sources like Drum Machine, Keyboards, DI for guitars etc. through a 6.3mm stereo phone jack, either in balanced or unbalanced mode.
3. **GAIN CONTROL:** The input level of both the Mic & Line signals can be adjusted by this control. The range of gain settings is -10 to -60dB for MIC & +10 to -40dB for LINE input.
4. **HI (12kHz) CONTROL:** It is used to obtain a 15dB cut or boost of high frequency input signal with 12kHz as center frequency.
5. **HI MID (2.5kHz) CONTROL:** It is used to obtain a 15dB cut or boost of high-mid frequency input signal with 2.5kHz as center frequency.
6. **LOW MID (400Hz) CONTROL:** It is used to obtain a 15dB cut or boost of low-mid frequency input signal with 400Hz as center frequency.
7. **LOW (80Hz) CONTROL:** It is used to obtain a 15dB cut or boost of low frequency input signal with 80Hz as center frequency.
8. **AUX-1 CONTROL:** This control is used to adjust the level of either pre or post-fader signal of its channel, which is then routed to AUX-1 SEND output.
9. **AUX-2 CONTROL:** This control is used to adjust the level of either pre or post-fader signal of its channel, which is then routed to AUX-2 SEND output.
10. **PRE/POST SWITCH:** This switch is pressed for POST-fader routing & released for PRE-fader routing of AUX-1 & AUX-2 signals to their respective outputs i.e. AUX-1 SEND & AUX-2 SEND outputs.
11. **AUX-3 (EFX) CONTROL:** This control is used to adjust the level of post-fader signal of its channel, which is then routed to the AUX-3/EFX SEND output.
12. **AUX-4 (FX) CONTROL:** This control is used to adjust the level of post-fader signal of its channel, which is then routed to built-in effects processor and also to AUX-4/FX SEND output.
13. **PAN CONTROL:** The signal of mono MIC & LINE input channels is distributed into LEFT & RIGHT MAIN line outputs. This control is also used to route the signal to desired group outputs.
14. **MUTE SWITCH:** This push switch is useful in switching individual channels ON or OFF during setting-up of equipment. Also, the channels which are not in use, during a program, can be switched OFF through this switch.
15. **MUTE LED:** This RED LED glows when MUTE switch knob is pressed and no input signal from that channel is routed to any output.
16. **PEAK LED:** This RED LED lights up to indicate that either the input signal is overloading the input circuit or the GAIN control setting is high enough to distort the signal. Both conditions can be overcome by appropriate adjustment of GAIN control so that this LED is NOT continuously ON.
17. **SIGNAL LED:** This GREEN LED glows to indicate the presence of input signal in its channel. This LED will remain OFF if MUTE switch is ON
18. **PFL SWITCH:** This switch, when pressed, will route the signal of its channel to the headphones output as well as the LED array. The RED LED, marked PFL, also starts blinking whenever PFL switch of any channel is pressed ON.
19. **MAIN SWITCH:** This switch is pressed to route the post fader and post pan L&R signal of its channel to the MAIN MIX L&R outputs respectively.
20. **GROUP (G1/2) SWITCH:** This switch is pressed to route the post fader & post pan L&R signal of its channel to GROUP 1 & GROUP 2 outputs respectively.
21. **CHANNEL FADER:** This slide volume control adjusts the level of pre-amplified mono signal which is fed to MAIN mix, GROUP and post fader send outputs. It provides a headroom of +10dB more than normal position of 0dB.



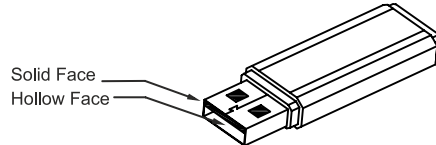
• The Mic / Stereo Input Section

- MIC INPUT (Channel 11/12 & Channel 13/14):** For connecting low impedance dynamic & condenser (self-powered) microphone through 3 pin XLR connector, either in balanced or unbalanced mode. For connecting phantom powered condenser microphone, keep 48V phantom switch marked 'CH 9-14 MIC' in ON position which is indicated by the glow of its orange LED. If no phantom microphone is being used, then keep phantom switches in OFF position.
- STEREO LINE L/MONO & R INPUTS:** For accepting balanced stereo line level signals through 6.3mm stereo phone jack sockets. However, these inputs can also accept either unbalanced stereo signals, balanced mono signals or unbalanced mono signals. Sources like CD Player, DJ Mixer Synthesizes etc. can be connected to this channel.
- MIC GAIN CONTROL:** The input level of the mic signal can be adjusted by this control. The range of MIC gain settings is -10 to -60dB.
- LINE GAIN CONTROL:** The input level of the line signal can be adjusted by this control. The range of LINE gain settings is +10 to -30dB.
- HI (12kHz) CONTROL:** It is used to obtain a 15dB cut or boost of high frequency input signal with 12kHz as center frequency.
- MID (2.5kHz) CONTROL:** It is used to obtain a 15dB cut or boost of mid frequency input signal with 2.5kHz as center frequency.
- LOW (80Hz) Control:** It is used to obtain a 15dB cut or boost of low frequency input signal with 80Hz as center frequency.
- AUX-1 CONTROL:** This control is used to adjust the level of either pre or post-fader signal of its channel, which is then routed to AUX-1 SEND output.
- AUX-2 CONTROL:** This control is used to adjust the level of either pre or post-fader signal of its channel, which is then routed to AUX-2 SEND output.
- PRE/POST SWITCH:** This switch is pressed for POST-fader routing & released for PRE-fader routing of AUX-1 & AUX-2 signals to their respective outputs i.e. AUX-1 SEND & AUX-2 SEND outputs.
- AUX-3 (EFX) CONTROL:** This control is used to adjust the level of post-fader signal of its channel, which is then routed to the AUX-3/EFX SEND output.
- AUX-4 (FX) CONTROL:** This control is used to adjust the level of post-fader signal of its channel, which is then routed to built-in effects processor and also to AUX-4/FX SEND output.
- PAN/BAL CONTROL:** The signal of mono MIC input and stereo L&R input is distributed into LEFT & RIGHT MAIN line outputs. This control is also used to route the signal to desired Group outputs.
- MUTE SWITCH:** This push switch is useful in switching individual channels ON or OFF during setting-up of equipment. Also, the channels which are not in use, during a program, can be switched OFF through this switch.
- MUTE LED:** This RED LED glows when MUTE switch knob is pressed and no input signal from that channel is routed to any output.
- PEAK LED:** This RED LED lights up to indicate that either the input signal is overloading the input circuit or the GAIN control setting is high enough to distort the signal. Both conditions can be overcome by appropriate adjustment of GAIN control so that this LED is NOT continuously ON.
- SIGNAL LED:** This GREEN LED glows to indicate the presence of input signal in its channel. This LED will remain OFF if MUTE switch is ON
- PFL SWITCH:** This switch, when pressed, will route the signal of its channel to the headphones output as well as the LED array. The RED LED, marked PFL, also starts blinking whenever PFL switch of any channel is pressed ON.
- MAIN SWITCH:** This switch is pressed to route the post fader and post pan L&R signal of its channel to the MAIN MIX L&R outputs respectively.
- GROUP (G1/2) SWITCH:** This switch is pressed to route the post fader & post pan L&R signal of its channel to GROUP 1 & GROUP 2 outputs respectively.
- CHANNEL FADER:** This slide volume control adjusts the level of pre-amplified mono signal which is fed to MAIN mix, GROUP and post fader send outputs. It provides a headroom of +10dB more than normal position of 0dB.

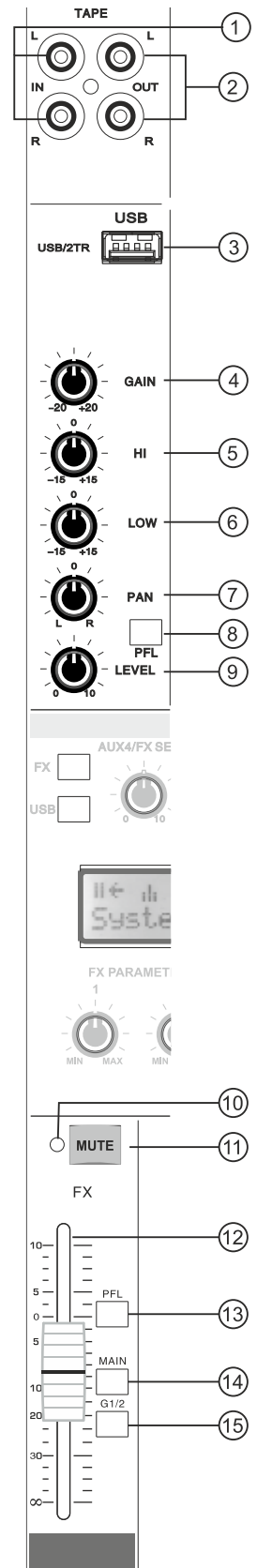
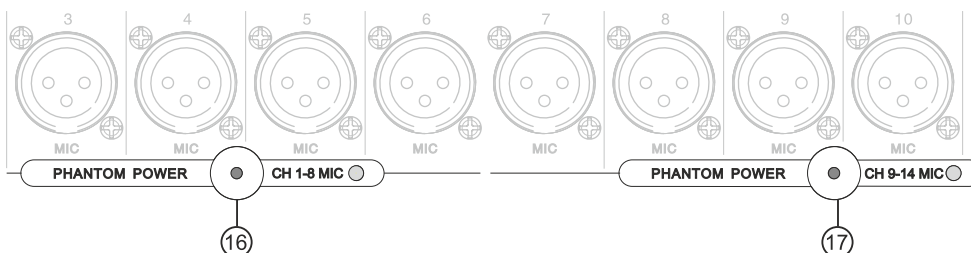


• TAPE, USB and FX Control Section

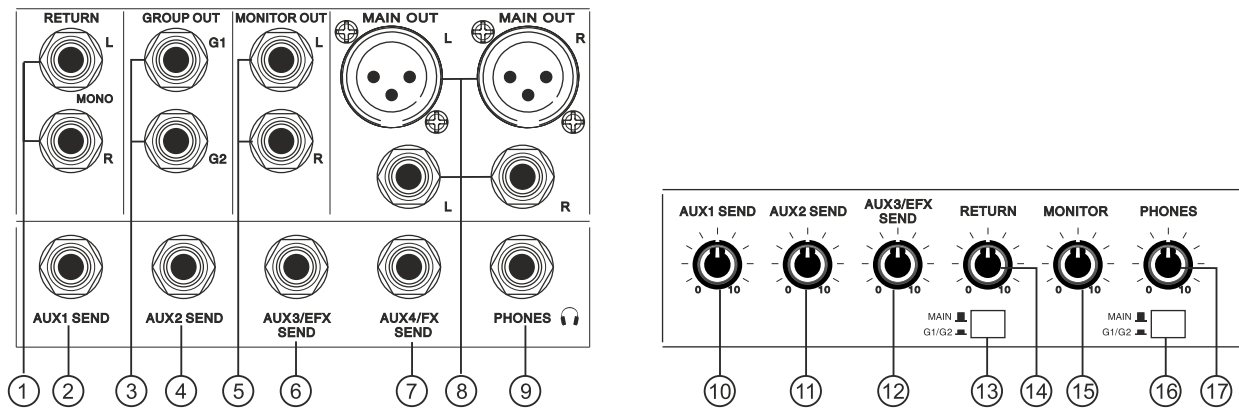
- 1. TAPE L&R INPUT:** This L&R RCA input is provided for connecting external stereo equipment like MP3 player, CD player, iPod etc.
- 2. TAPE L&R OUTPUT:** This L&R RCA output is provided for recording MAIN mix signal through an external equipment like MP3 Recorder, Tape Recorder etc.
- 3. USB Connector:** Insert the USB drive here. While inserting USB drive into the USB connector, hold the USB drive in such a way that hollow part of the USB drive is downwards as shown in Figure.



- 4. GAIN Control:** This control adjusts the signal level of USB input as well as TAPE L&R inputs. The range of gain control setting varies between -20dB and +20dB.
- 5. HI Control:** It is used to obtain a 15dB cut or boost of input signal with 12kHz as center frequency.
- 6. LOW Control:** It is used to obtain a 15dB cut or boost of input signal with 80Hz as center frequency.
- 7. PAN Control:** The signal of stereo TAPE IN and USB input is distributed into LEFT & RIGHT MAIN line outputs.
- 8. PFL Switch:** This switch, when pressed, will route the signal of its channel to the headphones output as well as the LED array. The RED LED, marked PFL, also starts blinking whenever PFL switch is pressed ON.
- 9. LEVEL Control:** This volume control adjusts the level of pre-amplified stereo TAPE IN & USB signal, which is fed to MAIN mix outputs.
- 10. FX MUTE LED:** This RED LED glows when MUTE switch knob is pressed and no input signal from that channel is routed to MAIN output.
- 11. FX MUTE Switch:** The routing of built-in effects (FX) to the MAIN outputs can be muted by pressing this switch. Release this switch to permit the mixing of built-in effects with the MAIN outputs.
- 12. FX Fader Control:** This slide volume control adjusts the level of built-in effects (FX) signal which is fed to MAIN mix and GROUP outputs.
- 13. FX PFL SWITCH:** This switch, when pressed, will route the signal of its channel to the headphones output as well as the LED array. The RED LED, marked PFL, also starts blinking whenever PFL switch is pressed ON.
- 14. FX MAIN SWITCH:** This switch is pressed to route the output of built-in effects (FX) processor to the MAIN MIX L&R outputs.
- 15. FX GROUP (G1/2) SWITCH:** This switch is pressed to route the output of built-in effects (FX) processor to GROUP 1 & GROUP 2 outputs.
- 16. PHANTOM SWITCH CH. 1-8:** Press this switch to provide phantom supply at MIC inputs from CH-1 to CH-8. The orange LED 'CH 1-8 MIC' glows when this phantom switch is pressed. Release this switch to withdraw phantom supply from CH-1 to CH-8 MIC inputs.
- 17. PHANTOM SWITCH CH. 9-14:** Press this switch to provide phantom supply at MIC inputs from CH-9 to CH-14. The orange LED 'CH 9-14 MIC' glows when this phantom switch is pressed. Release this switch to withdraw phantom supply from CH-9 to CH-14 MIC inputs.

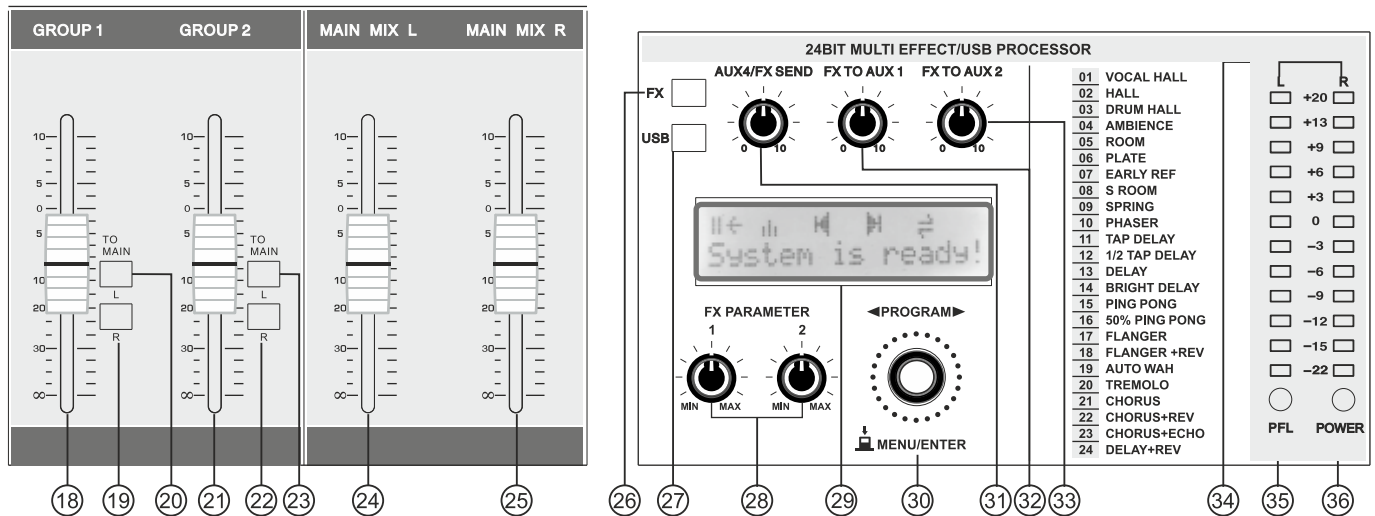


• The Output Section and Return Input Section



1. **RETURN L/MONO & R INPUTS:** Return inputs are designed for accepting balanced stereo signals through 6.3mm stereo phone jack sockets. However, these inputs can also accept either unbalanced stereo signals, balanced mono signals or unbalanced mono signals. The Aux return input signals are directly mixed with the L&R main mix signals so that it is available at MAIN OUTPUT, TAPE L&R OUT & Headphone Output.
2. **AUX-1 SEND OUTPUT:** It provides the combined pre or post-fader AUX-1 output of all the input channels through a 6.3mm phone jack. The pre-fader output is mainly used for stage monitoring applications & post-fader output is mainly used for external processing by effects unit, reverb unit etc.
3. **G1 & G2 GROUP OUTPUTS:** Combined line level balanced output, which is contributed by each channel, through G1/G2 switch, is available from 6.3mm stereo phone jack socket G1&G2.
4. **AUX-2 SEND OUTPUT:** It provides the combined pre or post-fader AUX-2 output of all the input channels through a 6.3mm phone jack. The pre-fader output is mainly used for stage monitoring applications & post-fader output is mainly used for external processing by effects unit, reverb unit etc.
5. **MONITOR L&R OUTPUTS:** For obtaining L&R Main, Group or PFL outputs for monitoring purposes. However, only the PFL signal, if selected by any PFL switch, will be routed to monitor outputs.
6. **AUX-3/EFX SEND OUTPUT:** It provides the combined post-fader AUX-3/EFX output of all the input channels through a 6.3mm phone jack. The post-fader output is mainly used for external processing by external processors like effects/reverb unit etc.
7. **AUX-4/FX SEND OUTPUT:** It provides the combined post-fader AUX-4/FX output of all the input channels through a 6.3mm phone jack. The post-fader output is mainly used for external processing by external processors like effects/reverb unit etc.
8. **MAIN L&R OUTPUTS:** Balanced Line level outputs have been provided for the LEFT & RIGHT channels through individual 3 Pin M/XLR connectors as well as 6.3mm phone jack sockets. For making balanced and unbalanced output connections, refer to "Plugs Wiring Details" page no. 15 of this manual.
9. **PHONES OUTPUT:** For connecting a stereo headphone (not less than 8Ω impedance) through a 6.3mm stereo phone jack. The headphone output is used for personal monitoring & its level is not effected by the setting of master control.
10. **AUX-1 SEND CONTROL:** For adjusting the output level of pre or post fader signal, which is taken from AUX-1 SEND Output phone jack socket.
11. **AUX-2 SEND CONTROL:** For adjusting the output level of pre or post-fader signal which is taken from AUX-2 SEND Output phone jack socket.
12. **AUX-3/EFX SEND CONTROL:** For adjusting the output level of post-fader signal which is taken from AUX-3/EFX SEND. Output phone jack socket.
13. **RETURN SWITCH:** Press this switch to route RETURN L&R input signal to Group G1 & G2 outputs respectively. Release this switch to route RETURN L&R input signal to MAIN L&R outputs respectively.
14. **RETURN CONTROL:** For adjusting the signal level of L/MONO & R RETURN inputs to MAIN or Group outputs
15. **MONITOR CONTROL:** In controls the signal level of MONITOR L&R outputs.
16. **PHONES SWITCH:** Press this switch for routing GROUP outputs to Headphones as well as Monitor outputs. Release this switch for routing MAIN outputs to Headphones as well as Monitor outputs.
17. **PHONES CONTROL:** It is used for adjusting the level of stereo signal which is available through Headphone output.

• Group & Main Mix Controls; Multi Effect/USB Processor



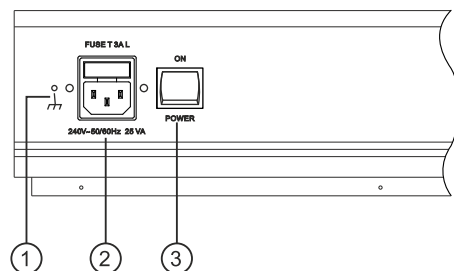
18. **GROUP 1 FADER CONTROL:** It controls the signal level of Group 1 output.
19. **GROUP 1 'TO MAIN R' SWITCH:** Press this switch to route Group 1 signal to MAIN R output.
20. **GROUP 1 'TO MAIN L' SWITCH:** Press this switch to route Group 1 signal to MAIN L output.
21. **GROUP 2 FADER CONTROL:** It controls the signal level of Group 2 output.
22. **GROUP 2 'TO MAIN R' SWITCH:** Press this switch to route Group 2 signal to MAIN R output.
23. **GROUP 2 'TO MAIN L' SWITCH:** Press this switch to route Group 2 signal to MAIN L output.
24. **MAIN MIX L FADER CONTROL:** It controls the signal level of the LEFT channel MAIN output.
25. **MAIN MIX R FADER CONTROL:** It controls the signal level of the RIGHT channel MAIN output.
26. **FX SWITCH:** If processor display is in USB mode then press FX switch to obtain name of effects and its two parameters in the LCD display.
27. **USB SWITCH:** If processor display is in FX mode then press USB switch to obtain USB function icons in the LCD display.
28. **FX Parameter Controls:** Each built-in effect has two variable parameters. These parameters can be adjusted through FX parameter controls 1 & 2. The range of these parameters, for each built-in effect, is listed in Effect table on page 11.
29. **LCD DISPLAY:** Facilitates selection of various functions & parameters in FX & USB modes.
30. **PROGRAM Selector**
 - (i) In FX mode, this rotary program selector is used to select and confirm any one effect, out of 24 built-in effects.
 - (ii) In USB mode, this rotary program selector is used to select and confirm various USB functions, as displayed in the LCD display. These functions are explained below:
 - ||← : When USB switch is pressed, the pointer in LCD display is directed towards PAUSE (||) symbol. Press the program selector once to change PAUSE (||) mode to PLAY (▶) mode.
 - ||← : Now rotate the program selector to move pointer towards EQ-MODE (||) symbol. Confirm this function by pressing the program selector knob once. Rotate the knob to select any one of eleven preset EQ options and press to confirm. The EQ-MODE are:
 - Normal, Rock, Pop, Classic, Jazz, Blues, Hall, Bass, Soft, Country, Opera
 - ◀ : Bring the pointer to previous (◀) icon to playback previous track.
 - ▶ : Bring the pointer to next (▶) icon to playback next track.
 - ⇒ : Bring the pointer to REPEAT ONE (⇒) icon to playback the selected track again & again.
 - ⇌ : Bring the pointer to REPEAT ALL (⇌) icon to playback all the tracks again & again.
31. **AUX-4/FX SEND CONTROL:** For adjusting the output level of post-fader signal which is taken from AUX-4/FX SEND output phone jack socket.
32. **FX TO AUX-1 CONTROL:** For controlling the level of built-in effects signal in the AUX-1 send output.
33. **FX TO AUX-2 CONTROL:** For controlling the level of built-in effects signal in the AUX-2 send output.
34. **LED ARRAY L&R:** The output signal level from Left & Right channels is indicated by an individual 12 segment LED array. Each LED array is calibrated to display output signal levels varying from -22dB to +20dB. 0dB LED glows to indicate the rated output level of +4dBu.
35. **PFL LED:** This RED LED blinks to indicate that a PFL switch has been pressed to ON Position.
36. **POWER LED:** This GREEN LED glows to indicate that the 240V AC mains supply has been switched ON by the mixer's power switch.

• 24 Effects Table

S.No.	Effects Name	Parameter 1 (Min-Max)	Parameter 2 (Min-Max)
1.	Vocal Hall	00mS – 500mS	0.5mS – 98.5mS
2.	Hall	00mS – 800mS	50% – 100%
3.	Drum Hall	0.00S – 6.5S	-10dB – +10dB
4.	Ambience	0.00S – 10.5S	-10.0dB – +10.0dB
5.	Room	0.00S – 15.0S	00% – 100%
6.	Plate	0.00S – 15.0S	00% – 100%
7.	Early Ref	0.00S – 15.0S	00mS – 200mS
8.	S Room	0.00S – 15.0S	00% – 100%
9.	Spring	0.00S – 8.5S	00% – 100%
10.	Phaser	0.0Hz – 10.0Hz	00% – 100%
11.	TAP Delay	00mS – 200mS	00% – 100%
12.	1/2 TAP Delay	00mS – 200mS	00% – 100%
13.	Delay	00mS – 500mS	00% – 100%
14.	Bright Delay	00mS – 500mS	00% – 100%
15.	Ping Pong	00mS – 500mS	00% – 100%
16.	50% Ping Pong	00mS – 500mS	00% – 100%
17.	Flanger	0.0Hz – 5.0Hz	00% – 100%
18.	Flanger + Reverb	0.00S – 6.5S	0Hz – 5Hz
19.	Auto WAH	0.0Hz – 5.0Hz	00% – 100%
20.	Tremolo	0.0Hz – 5.0Hz	00% – 100%
21.	Chorus	0.0Hz – 5.0Hz	00% – 100%
22.	Chorus + Reverb	0.00S – 6.5S	0.0Hz – 5.0Hz
23.	Chorus + Echo	0.00mS – 500mS	00% – 100%
24.	Delay + Reverb	00mS – 200mS	00% – 100%

• The Power Supply Section

- EARTHING SCREW**
- AC Inlet Socket With Built-in Fuse Rating 3 AMP, 250V (FUSE T 3AL)**
Connect the provided AC Mains cable in this socket for AC mains operation. The built-in fuse protects the mixer from any excessive current flow.
- POWER SWITCH**
Push the top part of the knob to switch the mixer ON. Push the bottom part of the knob to switch the mixer OFF.



• Operations

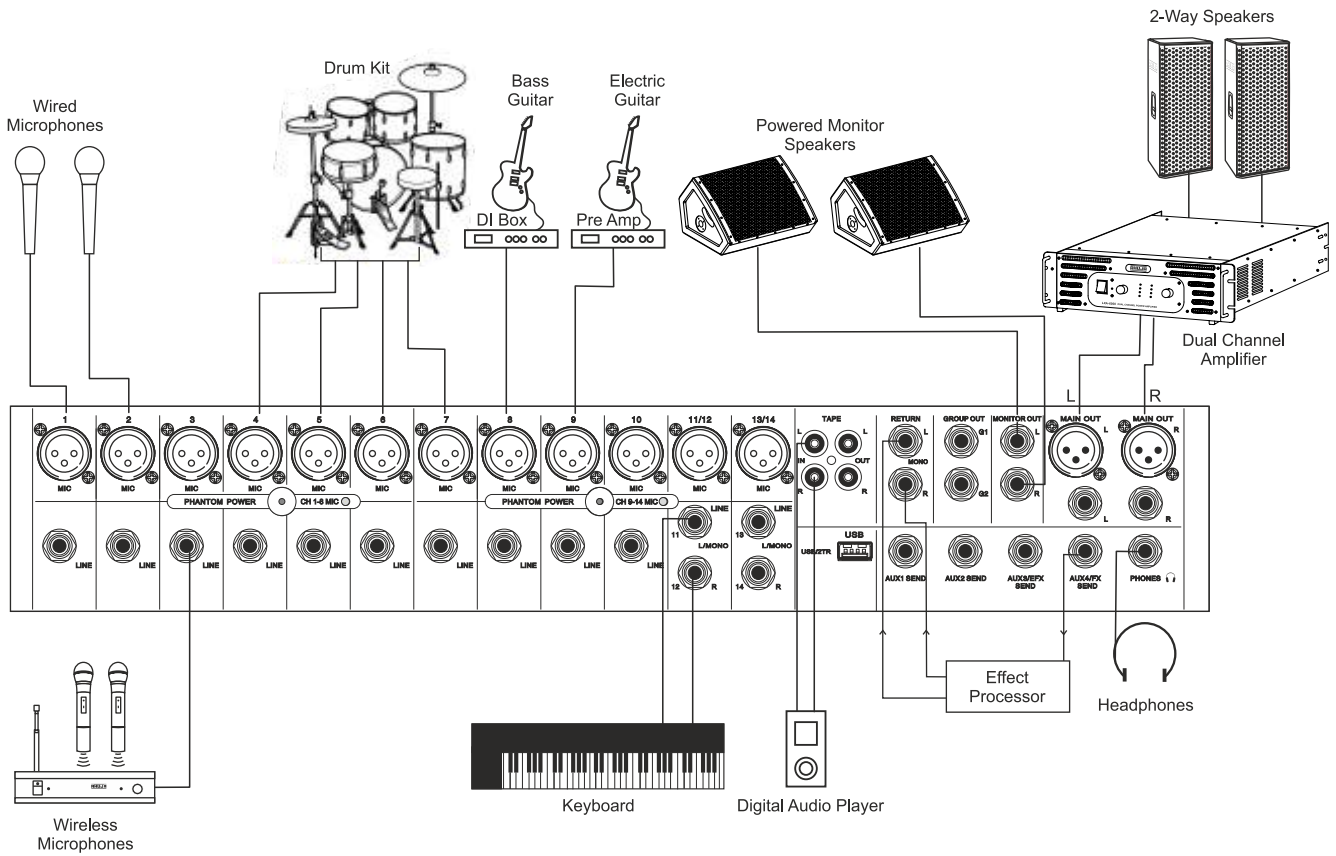
1. Please ensure that AC mains supply to all the equipments is initially switched OFF.
2. Connect the desired number of input sources like phantom powered microphones, wired microphones, wireless microphone receivers, keyboard, guitars, DJ mixer etc., to the appropriate input sockets of the mixer.
3. Connect the power amplifiers, external processors, recording equipment, powered speakers, headphone etc., to the appropriate output sockets of the mixer.
4. All the rotary & slide volume controls of the mixer as well as that of the peripheral equipments should be set to minimum position.
5. All the tone controls, PAN controls & BAL controls should be set at center (FLAT) position.
6. Keep all the MUTE push switches of the mixer in pressed (ON) position.
7. Connect all the equipments to their respective AC mains supply sockets.
8. Always switch ON the mixer first and all the power amplifiers & powered speakers in the end. In between, other equipments can be switched ON.
9. Now, GAIN control setting should be carried out for channels which have microphone as an input source. The microphone XLR input is designed to accept dynamic and condenser (self powered) microphones in balanced as well as unbalanced mode of connection.

NOTE: If phantom powered microphones are connected to some MIC inputs, then it is advisable to connect the dynamic microphones to other MIC inputs only through balanced XLR cables. Refer "Plugs Wiring Details" on page no. 15 of this manual.

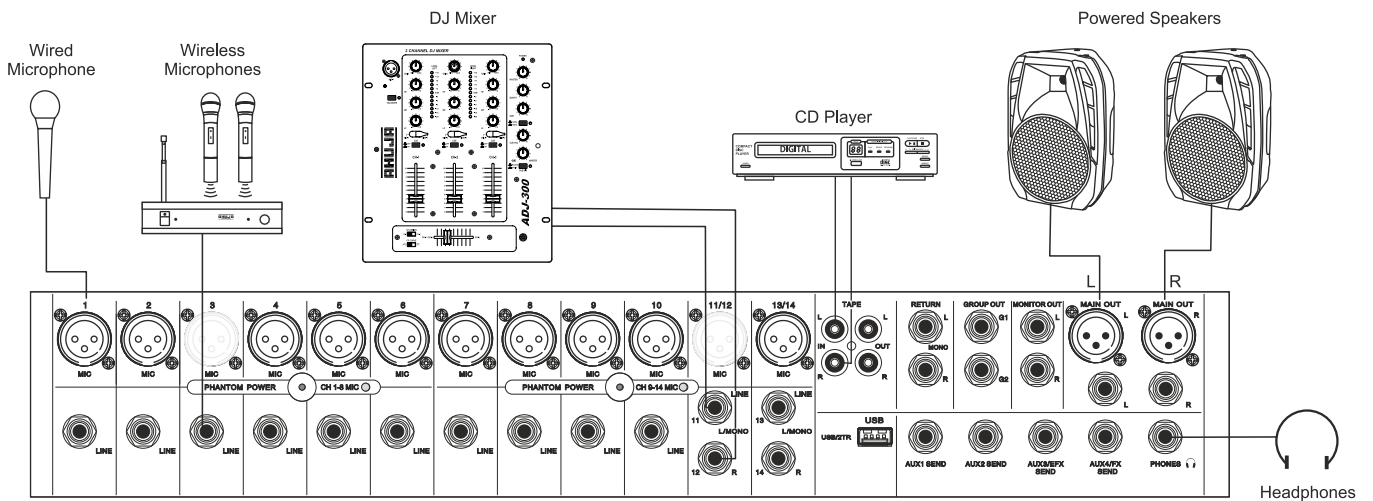
10. Release the MUTE switch of all the active channels.
11. Switch the microphone ON and speak a few words through it while turning up the GAIN control to a position where the SIG LED glows and PEAK LED just starts to flicker.
12. Now speak loudly into the microphone and then readjust the GAIN control to a position where the PEAK LED flickers occasionally.
13. For desired tonal balance, adjust 4 band EQ controls and then carry out the final setting of GAIN control as explained in point #12 above. The setting of tone controls can be different for each microphone input channel.
14. Similarly, the setting of GAIN control for LINE input channels should be done with reference to the setting of tone controls & flickering of the PEAK LED.
15. The setting of GAIN control for STEREO input channels should also be done in a similar way as explained in point #14 above.
16. After completing the GAIN setting of all the channels, adjust the slide control of each channel to obtain the desired mix at the output.
17. The overall level of LEFT & RIGHT MAIN output signals should be adjusted through respective MASTER slide controls.
18. Use PAN control to adjust the level of mono input signal which is contributed to LEFT & RIGHT channels.
19. Use BAL control to adjust the level of stereo (or L/mono) input signal which is contributed to LEFT & RIGHT channels.
20. The level of pre/post-fader output of each input channel, that is contributed to the main AUX-1/AUX-2/AUX-3/AUX-4 Send output, should be adjusted through corresponding control of that channel.
21. The post-fader signals, after external processing, are fed back to the mixer through RETURN inputs and mixed with the main L & R outputs through RETURN volume control.
22. For operating built-in EFFECTS/USB processor, refer page no.10 of this manual.
23. Always use interconnecting cables with appropriate connectors which are suitably wired for proper functioning of the mixer & its peripheral equipments.

• Typical Applications

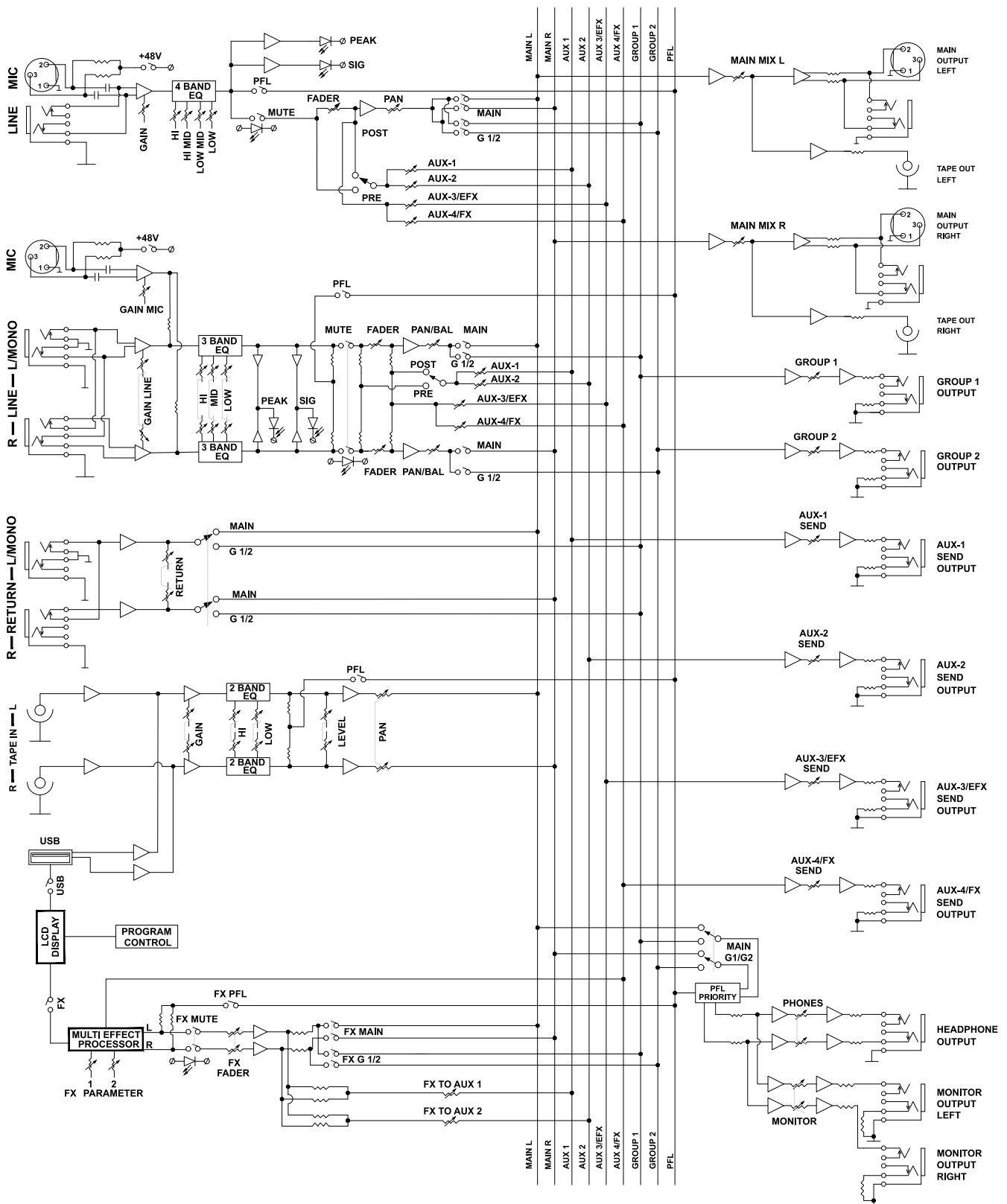
SET-UP FOR LIVE PERFORMANCE



SET-UP FOR EVENTS & PARTIES

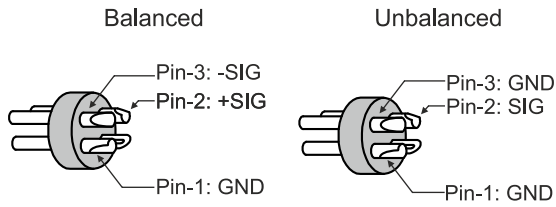


• Block Diagram

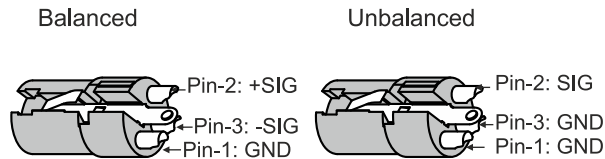


• Plugs Wiring Details

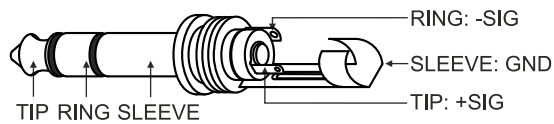
1. Pin connections of a 3 pin XLR male plug:



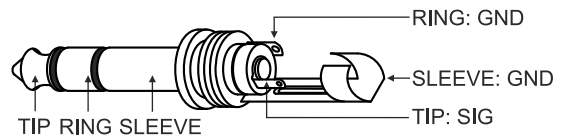
2. Pin connections of a 3 pin XLR female plug:



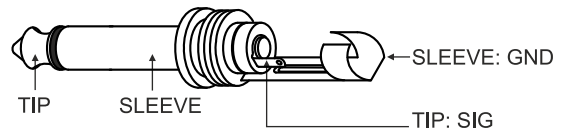
3. Pin connections of a 6.3mm (1/4") Stereo Phone Plug for balanced signal:



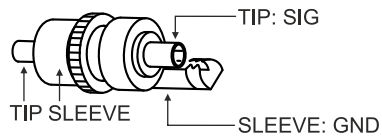
4. Pin connections of a 6.3mm (1/4") Stereo Phone Plug for unbalanced signal:



5. Pin connections of a 6.3mm (1/4") Mono Phone Plug for unbalanced signal:



6. Pin connections of an RCA Plug:



• Specifications

MIC INPUT	
Impedance/Gain	: 2k Ω Balanced/65dB
LINE INPUT	
Impedance/Gain	: 20k Ω Balanced/45dB
STEREO INPUT (L/Mono & R)	
Impedance/Gain	: 10k Ω Balanced/20dB
THD	: <0.08%
FREQUENCY RESPONSE	
L/R Line Output	: 25Hz - 20kHz (+0, -1dB)
EQUALIZATION	
HI/Hi-Mid/LOW-Mid/LOW	: \pm 12dB at 12kHz/2.5kHz/400Hz/80Hz
CLIP LED INDICATION	: 4 dB prior to true clip
LINE OUTPUT	
Nominal/Max Level	: 4dBu/21dBu (1.22V/9V)
Impedance	: 600 Ω
DIGITAL EFFECTS	: 24 Effects Digital Processor
DIGITAL PLAYER	: MP3 Player with USB Reader, 11 Preset Equalizer Settings
HEADPHONE OUTPUT	: 200mV at 8 Ω , THD <1%
MAXIMUM GAIN	
Mic Input to Line Outputs	: 90dB
Line Input to Line Outputs	: 70dB
Stereo Input to Line Outputs	: 20dB
AUX Send (Pre) Unbalanced	: 5V
AUX Send (Post) Unbalanced	: 9V
AUX Return (L&R) Balanced	: 600mV
GROUP OUTPUTS	: 3V
MONITOR OUTPUTS	: 1.6V
TAPE OUTPUT (L&R)	: 600mV
TAPE INPUT (L&R)	: 100mV
SIGNAL TO NOISE RATIO	: >80dB
POWER SUPPLY	: AC: 220-240V, 50/60Hz
DIMENSIONS	: W560 \times H111 \times D410mm
WEIGHT	: 6.70kg

Design and Specifications are subject to change without notice owing to continuous product up-gradation. Technical specifications are subject to production tolerances.

We cannot be held responsible for printing errors, should they occur. **AHUJA** is a registered trademark of Ahuja Radios in India and other countries.

© Copyright Ahuja Radios, 2020. All rights reserved. Any unauthorized reproduction or use of logos, images or design elements is strictly prohibited by law.

No part of this compilation may be reproduced in any manner or translated without written permission.

E. & O. E. 0K02/20

AHUJA RADIOS

215, Okhla Industrial Estate, New Delhi-110020, INDIA

C-45, Phase-II, Noida-201305 (UP) INDIA ● 3, Okhla Industrial Estate, New Delhi-110020 INDIA

Tel.: +91-11-26831549, 41612474 Fax: +91-11-26847287 E-mail: ahuja@ahujaradios.com

Website: www.ahujaradios.com