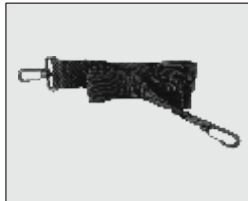


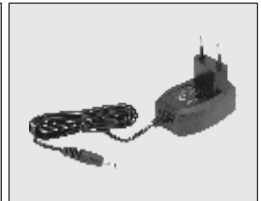
# NBA-15



Headband Microphone



Neck Strap



AC Power Adapter

- ◆ Thank you for purchasing the AHUJA Neckband PA System.
- ◆ Please read this manual thoroughly before turning ON the power. Following the instructions in this manual will enable you to obtain optimum performance from your new AHUJA Ultra Portable PA System.
- ◆ Please retain this manual for future reference.

## • Safety Instructions

**CAUTION:** No user serviceable parts inside. Refer servicing to qualified personnel only

**WARNING:** To reduce the risk of fire do not expose this equipment to rain or moisture.

**Detailed Safety Instructions:** All the safety instructions in this manual should be read before operating this equipment.



This symbol, wherever it appears, alerts you to the presence of uninsulated dangerous voltage inside the enclosure, that may be sufficient to constitute a risk of shock.



This symbol, wherever it appears, alerts you to important operating and maintenance instructions in the accompanying literature. Read the manual.

**Retain Instructions:** The operation manual should be kept for future reference.

**Follow Instructions:** All operation and safety instructions should be followed.

**Water and Moisture:** In order to prevent any fire hazard, do not expose this equipment to rain or moisture.

**Ventilation:** The amplifier should be installed at a location or position which does not interfere with its proper ventilation. Also do not insert or drop anything into the ventilation holes.

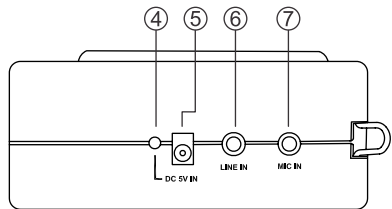
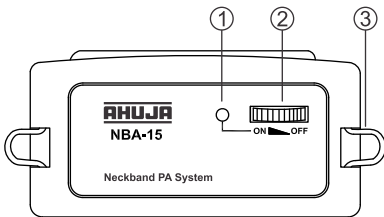
**Heat:** The appliance should be situated away from heat sources such as radiators, amplifiers and other appliances that produce heat.

**Replacing Rechargeable Lithium-ion Battery:** When required, the lithium-ion battery must be replaced with a similar battery (of same ratings). Disposal of discharged batteries should be done in accordance with applicable local laws.

## • Features / General Description of Product

- Elegant and compact Neckband PA amplifier with max. output power 12W.
- Built-in high capacity rechargeable lithium-ion battery.
- Supplied with a condenser headband microphone, a neck strap and an AC power adapter (for recharging the built-in rechargeable battery only).
- Special circuitry provides low distortion even at high output power.
- 3.5mm Mic input socket for connecting the headband microphone and a 3.5mm Line input socket for connecting a DVD, CD or an MP3 player.
- Low battery LED indicator.
- Convenience of use. The unit can be used while hanging on the shoulder or by putting around the waist.
- Ideal for teaching, tour guides, yoga classes, play schools and small group presentations.

## • Controls & Features



- 1. Bi-Colour LED:** This LED glows only when power switch is turned ON. When the LED is GREEN, it indicates that the built-in rechargeable battery is adequately charged. When the LED is RED it indicates that the built-in rechargeable battery is low and needs recharging.
- 2. Power Switch with Volume Control:** To switch the unit ON, rotate the power switch from OFF to ON position. After switching ON, rotate the volume control to adjust the sound output level from the unit.
- 3. Hanging Hooks:** Used for clamping the hanging belt.
- 4. Charging Indicator LED:** This bi-colour LED glows only when the AC adapter is connected to an AC mains source. When the LED is RED, it indicates that the rechargeable battery

is undergoing charging. When the LED is GREEN, it indicates that the rechargeable battery is fully charged.

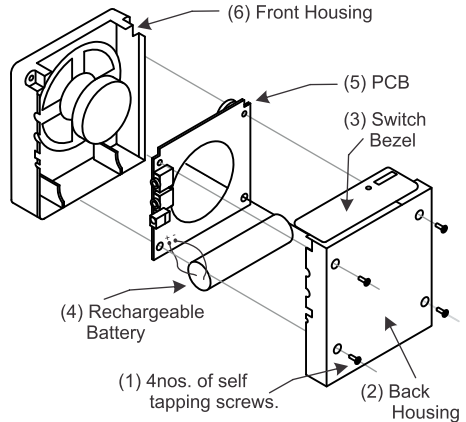
- 5. DC Input Socket:** For connecting the AC adapter, which has been supplied with the unit, so that the built-in rechargeable battery can be charged.
- 6. Line Input Socket:** For accepting unbalanced signal from an auxiliary source like a DVD or an MP3 player.
- 7. MIC Input Socket:** For accepting unbalanced signal from a condenser microphone through a  $\varnothing$  3.5mm phone jack plug. This mic input can also be used for directly connecting Ahuja condenser microphone models HBM-50 as well as CTP-10DX and UTP-30 (both to be used without their cell compartment).

## • Usage Tips

- The amplifier runs on its built-in rechargeable lithium-ion battery. The AC power adapter is only required for recharging the battery from time to time.
- The MIC IN socket is meant only for condenser microphones: the headband microphone supplied with this set or Ahuja models CTP-10DX / UTP-30. DO NOT connect any dynamic microphone.

## • Replacement of Rechargeable Battery

- Open the portable amplifier by unscrewing 04 nos of self tapping screws (1).
- The amplifier is now in two parts; the front housing (6) is with the speaker and back housing (2) has the PCB (5) and the rechargeable battery (4).
- Slightly lift the PCB (5) from bottom side and pull it out of the switch bezel (3).
- Now take out the rechargeable battery (4). Carefully desolder the red and black wire of the rechargeable battery from the PCB.
- Take a new battery of similar size and rating ie., 3.7V, 2000mAh. Solder the red and black wires of the new rechargeable battery to the (+) and (-) solder pads on the PCB respectively.
- Place the new battery in its designated location inside the back housing (2). Replace the PCB by sliding it in the switch bezel (3), place the front housing (6) over the back housing and close the amplifier by tightening 4 nos of self tapping screws (1)
- A new rechargeable lithium-ion battery may require longer charging time for the first time.



## • Specifications

Power Output	12W Max.
Speaker Impedance	4Ω
Input Channel	Mic-1: 1.0mV, Line: 250mV
Frequency Response	80-12,000Hz
AC Adapter	AC: 100-240V, 50/60HZ; DC: 5V, 750mA
Rechargeable Lithium-ion Battery	3.7V, 2000mAh
Headband Microphone Element	Condenser, Cardioid
Dimensions	W86 × H98 × D44 mm
Weight (with rechargeable battery)	0.34kg approx.
Accessories	Headband microphone, AC power adapter (for recharging lithium-Ion battery), neck strap.

- Design and Specifications are subject to change without notice owing to continuous product upgradation.
- Technical specifications are subject to production tolerances.

### AHUJA RADIOS

215, Okhla Industrial Estate, New Delhi-110020, INDIA

C-45, Phase-II, Noida-201305 (UP) INDIA ● 3, Okhla Industrial Estate, New Delhi-110020 INDIA

Tel.: +91-11-26831549, 41612474 Fax: +91-11-26847287 E-mail: ahuja@ahujaradios.com

Website: www.ahujaradios.com

# AHUJA®

- AHUJA is a registered trademark of Ahuja Radios in India and other countries.
- © Copyright Ahuja Radios, 2012. All rights reserved. Any unauthorized reproduction or use of logos, images or design elements is strictly prohibited by law.
- No part of the compilation may be reproduced in any manner or translated without written permission.