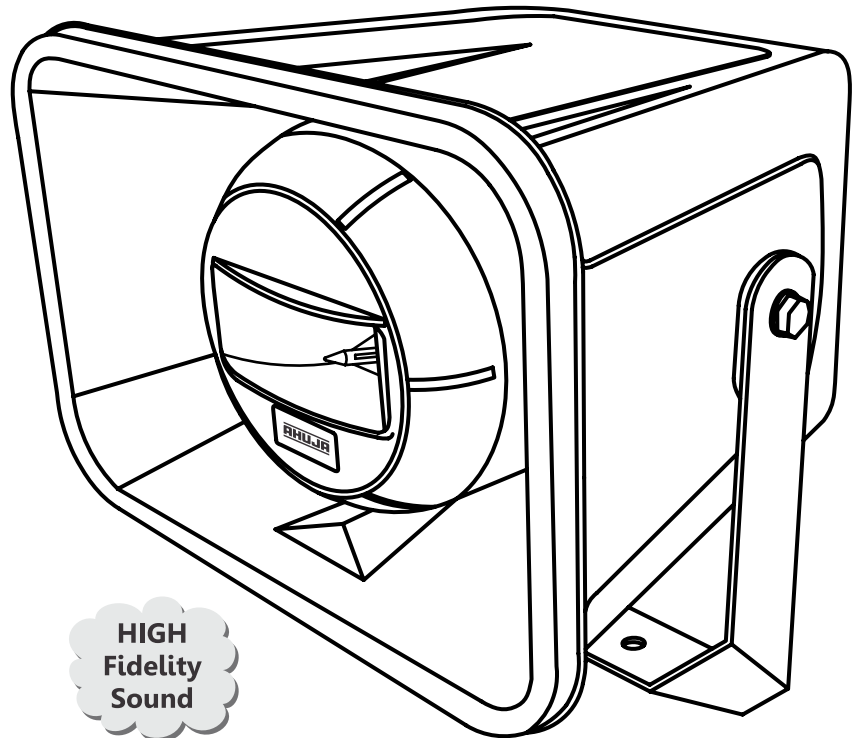


Ahuja **AMH-402T** is a 2-way high efficiency, high fidelity PA Music Horn. It uses a 6" Kevlar cone woofer and a 1" phenolic dome tweeter. Thus it combines the high efficiency of a horn with the wide frequency response obtained by using a 2-way woofer-tweeter combination. Housed in a beautifully designed UV protected ABS plastic housing, the music horn is weather protected which makes it ideal for outdoor as well as indoor applications.



### FEATURES

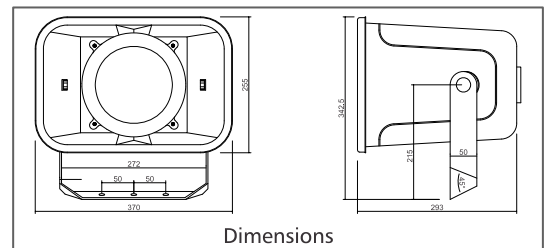
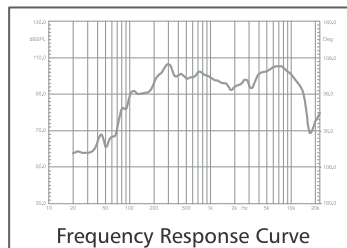
- Unique concept used to create a well-engineered 2-way PA Music Horn with high efficiency, long throw, and wide frequency response.
- Sound quality of exceptional richness, clarity and fidelity. Ideal for music as well as announcements.
- Rugged & sturdy construction with aesthetically superior finish. UV protected ABS plastic housing.
- Comprises of a highly efficient 6" Kevlar cone LF driver and a 1" HF driver for wider frequency response and higher SPL.
- Easy power tap selection on a terminal strip with a 2-core cable.
- Strong mounting bracket for rigid mounting.
- Ideal use for: Railway Stations, Educational Institutions, Religious Places, Stadiums, Amusement Parks, Factories, Cruise Liners etc.



**HIGH Fidelity Sound**

### SPECIFICATIONS

|                |                          |
|----------------|--------------------------|
| INPUT POWER    | 40W RMS                  |
| POWER TAPS     | 40/20/10/5W              |
| IMPEDANCE      | 250/500/1k/2kΩ           |
| FREQ. RESPONSE | 120-16,000Hz             |
| SPL at 1kHz    | 98dB/1W/1m; 114dB/40W/1m |
| DIMENSIONS     | W370 × H255 × D300 mm    |
| WEIGHT         | 6.5kg                    |
| MATERIAL       | ABS (UV Protected)       |



Design and Specifications are subject to change without notice owing to continuous product up-gradation. Technical specifications are subject to production tolerances. We cannot be held responsible for printing errors, should they occur. **AHUJA** is a registered trademark of Ahuja Radios in India and other countries. © Copyright Ahuja Radios, 2013. All rights reserved. Any unauthorized reproduction or use of logos, images or design elements is strictly prohibited by law. No part of this compilation may be reproduced in any manner or translated without written permission.